

Book 2

Events

Chapter 3 - Championships	4
Art. : World Championships	4
Art. : Continental Championships	4
Art. : Dates	4
Art. : Allocation of Championships	4
Art. : Management Structures	5
Art. : Invitations	6
Art. : Entries	6
Art. : Accreditation	7
Art. : Championship Documents	7
Art. : Director of Shooting	7
Art. : Tournament Judge Commission	7
Art. : Roles and Responsibilities of Judges	7
Art. : Jury of Appeal	8
Art. : Scorers	8
Art. : Draw for Shooting Positions	8
Art. : Repositioning on Targets	9
Art. : Equipment Inspection	9
Art. : Championship Tournaments	9
Art. : Programme and Protocol	9
Art. : Field of Play	10
Chapter 4 - Competitions	11
Art. : Disciplines	11
Art. : Classes	11
Art. : Divisions	11
Art. : Categories	12
Art. : Rounds	12
Art. : Events and Tournaments	16
Art. : World Archery Events	16
Art. : Official Recognition of Tournaments	17
Chapter 5 - Titles and Records	19
Art. : World Championship Titles	19
Art. : World Records - Definition	20
Art. : World Records	20
Art. : World Record Tournaments	20
Art. : Confirmation of World Records	21
Art. : Olympic Records	21
Art. : Confirmation of Olympic Records	21
Chapter 6 - Medals, Trophies and Performance Awards	22
Art. : Medals	22
Art. : Prizes and Trophies	22
Art. : Performance Awards	22
Art. : Events for Performance Awards	23
Art. : Applications for Awards	23
Chapter 7 - Field of Play setup - Target Rounds	25
Art. : Field of Play Layout	25
Art. : Venue Equipment and Scoring Zones	26
Chapter 8 - Field of Play setup - Field Archery	38
Art. : Course Layout	38
Art. : Venue Equipment and Scoring Zones	39
Chapter 9 - Field of Play setup - 3D Archery	41
Art. : Course layout	41
Art. : Venue Equipment and Scoring Zones	41
Chapter 10 - Shooting Control and Safety in Target Archery	43
Art.	43
Art.	43
Appendix 1 - World Ranking Tournaments	44
Art. : Minimum Standard Criteria	44
Art. : Submission of World Ranking Tournaments	44
Art. : World Ranking Status	44

Appendix 2 - Olympic Games special requirements	45
Art. : Dress Regulations	45
Art. : Field of Play	45
Appendix 3 - Match Play Charts	46
Art. : Match Play Chart 1A (104 athletes, byes are permitted)	46
Art. : Match Play Chart 1B (104 athletes, byes are permitted)	47
Art. : Match Play Chart 2 (64 athletes, byes are permitted)	48
Art. : Match Play Chart 3 (32 athletes, byes are permitted)	50
Art. : Match Play Chart 4 (16 athletes / teams, byes are permitted)	52
Art.	54
Art. : Olympic Games Match Play Chart (64 athletes, byes are permitted)	54
Art. : Match Play Chart 5 (24 teams, byes are permitted)	56

Book 2

Events

Chapter 3

Championships

3.1. World Championships

3.1.1. World Archery arranges for the organisation of the following Championships:

- World Archery Championships: Recurve and Compound Divisions;
- World Archery Indoor Championships (optional for Juniors): Recurve and Compound Divisions;
- World Archery Field Championships (optional for Juniors): Barebow, Recurve and Compound Divisions;
- World Archery Youth Championships (Juniors and Cadets): Recurve and Compound Divisions;
- World Archery Para Championships: Recurve and Compound Divisions;
- World Archery 3D Championships: Barebow, Instinctive Bow, Longbow and Compound Divisions;
- Target, Indoor and Field Archery for Masters: Barebow (for Field only), Recurve and Compound Divisions (if possible together with other Masters events).

And for the divisions as defined in their respective chapters:

- World Archery Flight Championships;
- World Archery Ski Championships;
- World Archery Run Championships.

Despite the above provision, a World Championship does not have to be awarded if the Executive Board determines it is not appropriate.

3.2. Continental Championships

3.2.1. Continental Associations may arrange for the organisation of Continental Championships.

3.3. Dates

3.3.1. World Archery Championships shall be held every two years as follows:

- World Archery in odd years;
- World Archery Field in even years;
- World Archery Indoor in even years;
- World Archery Youth in odd years;
- World Archery Flight in even years;
- World Archery Ski every year;
- World Archery Run in even years;
- World Archery 3D in odd years;
- World Para-Archery in odd years;
- World Archery Masters in even years.

3.4. Allocation of Championships

3.4.1. Any organisation willing to host a World Championship according to World Archery requirements can submit a bid to the Secretary General through the Member Association of the country in which the championship shall take place.

3.4.2. The bid shall be submitted in writing and shall include:

3.4.2.1. *The dates.*

3.4.2.2. *The venue.*

3.4.2.3. *An assurance that, as far as can be reasonably foreseen, no difficulties shall arise for athletes and officials from any eligible Member Association on grounds of nationality, race, religion or politics and for the free passage through customs of equipment or trophies.*

3.4.2.4. *A bidding contract signed by all parties and approved by the Executive Board.*

3.4.2.5. *A guarantee that they shall provide all facilities and comply with all specifications of the respective organising manual in effect at the time of signing the bid contract.*

3.4.2.6. *A written statement accepting the World Archery Constitution and Rules including the Code of Ethics and Conduct.*

3.4.2.7. *Any other information required by World Archery.*

- 3.4.3. The selection of the host country shall be made by Executive Board from the eligible bids, and following a thorough investigation.
- 3.4.4. If a Member Association has been entrusted with the organisation of a Championship and is unable to hold it or to uphold the commitment under [Article 3.4.2.](#), the Secretary General and all Member Associations shall be informed immediately.
- 3.4.4.1. *The host Member Association shall be liable for all actual and reasonable expenses directly linked to the failure to host the Championship or to uphold the commitments of [Article 3.4.2.](#)*
- 3.4.5. The possible reallocation of such a Championship shall be decided by the Executive Board.
- 3.4.5.1. *If a Member Association wishes to change the location of a Championship it may only do so in exceptional circumstances and with the prior approval of the Co-ordination Committee. If the Co-ordination Committee refuses to approve the change of location, the Member Association shall continue with the original location or World Archery shall remove the Championship. In this case the Member Association shall be liable for all expenses resulting from the change of country or the cancellation of the Championship.*
- 3.4.6. Congress may establish a maximum limit for the entry fees to World Championships.

3.5. Management Structures

- 3.5.1. The Championship is managed by the following committees:
- The Co-ordination Committee;
 - The Organising Committee.
- 3.5.2. The Co-ordination Committee is made up of:
- The World Archery President or his representative who shall be the chairperson whose primary function is to protect World Archery's interest in general;
 - The Technical Delegate, whose function is to ensure the technical aspects of the Championship are correct;
 - The President of the host Member Association or his representative;
 - The President of the Organising Committee;
 - The Secretary General or his representative whose function is to protect World Archery's interest in terms of marketing, television and media and gather information for future championships.
- 3.5.3. The World Championship is managed by the Co-ordination Committee, which is responsible for:
- The supervision and smooth running of the event;
 - The implementation of the laws and bylaws;
 - Settling any dispute, complaint or protest which does not concern any other committee, or the Jury of Appeal;
 - Taking emergency action to ensure the smooth running of the Championship and protect World Archery's reputation;
 - Deciding any other matters not covered in the Constitution and Rules;
 - Supervising the organisation of the ceremonies.
- 3.5.4. A Technical Delegate shall be appointed by World Archery to oversee the technical aspects of Championships. The responsibilities of the Technical Delegate shall be:
- 3.5.4.1. *• Maintain close co-operation with the chairperson of the Co-ordination Committee and with the representative of the Organising Committee;*
- Serve as liaison person between the Chairperson of the Tournament Judge Commission, the Director of Shooting and the Co-ordination Committee or the Organising Committee;*
 - Advise the organisers on the rules and their implementation;*
 - Inspect the sports facilities and the venue equipment to be used during the competition;*
 - Check that all preparations are in accordance with the rules and the Organisers manual;*
 - Report to the Executive Board on the progress of the preparation of the Championship;*
 - Supervise and attend the draw;*
 - Organise and chair the Team Managers meeting;*
 - Ensure that the rules are observed;*
 - Advise the Co-ordination Committee on necessary changes to protect the best interests of World Archery and the quality of the Championship.*
- 3.5.5. The Organising Committee is responsible for the organisation of the Championship and shall implement the decisions of the Co-ordination Committee.
- 3.5.5.1. *The organisers shall communicate to World Archery 60 days before the Championship the number of press accreditation cards they intend to use.*
- 3.5.6. The Organising Committee shall submit to every Congress, between the date of allocation and that of the Championship, a report on the progress made in the preparations.
- 3.5.7. The Organising Committee is totally responsible for making financial arrangements for the Championship allocated to them in:

- Deciding the amount of entry fees – within the limits set by Congress;
 - Bearing the costs of anti-doping control.
- 3.5.8. World Archery shall arrange, in agreement with the Organising Committee, food, lodging and necessary local transportation for the Judges, the cost of which shall be borne by the organisers.
- 3.5.9. The Secretary General shall notify all Member Associations which have entered participants, when a Championship event shall not be held for a category. Member Associations that have entered participants shall be notified of the change no later than 40 days before the first day of shooting.
- 3.5.10. A results verifier shall be appointed by World Archery to assist the Organising Committee and the Technical Delegate to ensure the validity of target assignments and scoring, and verify results and the publication of the result lists.

3.6. Invitations

- 3.6.1. Invitations shall be distributed to Member Associations eligible to compete, Honorary Officers, the Executive Board and the respective Permanent Committee.
- 3.6.1.1. *At least six months before the first day of competition, the organisers shall issue:*
- *Invitations to Member Associations eligible to compete;*
 - *Detailed information on the entry fees;*
 - *Preliminary entry forms requesting the numbers of expected participants and officials for each event;*
 - *Final entry forms requesting names of participants entered for each event, and of officials;*
 - *Information on accommodation, booking arrangements, meals, costs, etc.*
- 3.6.1.2. *At least three months before the first day of competition, the organisers shall send to eligible Member Association confirmation that the Championships shall be held as announced.*

3.7. Entries

- 3.7.1. All Member Associations in good standing (see [Appendix 1-Congress Procedures, Article 3.1.6. in Book 1](#)) may enter athletes.
- 3.7.1.1. *Member Associations wishing to enter athletes in a Championship shall register as follows:*
- *Submit preliminary entries, which is mandatory, not later than 90 days before the first day of competition;*
 - *Submit final entries not later than 20 days before the first day of competition;*
 - *Member Associations which send final entries that are more than two (four for Youth) athletes different from the numbers indicated in the preliminary entries shall pay a fine established by the Executive Board;*
 - *Teams that submit their final entries 40 days prior to the first day of competition shall receive a reduction of 20% of the entry fee;*
 - *Teams that enter after the 20 day deadline or make changes after this deadline shall pay a penalty of 150 USD per change or athlete registered;*
 - *Under no circumstances shall World Archery accept any entries after the Team Managers meeting or the official practice, whichever comes first.*
- 3.7.1.2. *Entries submitted after the specified closing date may be refused by the organisers or World Archery; however, if the cause of the delay is due to circumstances beyond the control of the Member Association concerned, the organisers and World Archery may accept that entry. World Archery reserves the right to refuse any entry after the 20 day deadline if such entry would cause a change in the programme or cause other organisational problems. Such decision shall be taken by the Secretary General after consultation with the Organising Committee.*
- 3.7.2. The submission of entry forms implies:
- A declaration that the Member Association is in good standing (see [Appendix 1-Congress Procedures, Article 3.1.6. in Book 1](#));
 - That all athletes and officials expenses shall be covered by the respective Member Association in case of illness or accident;
 - All athletes and officials have signed the Anti-Doping Agreement (see [Consent Form, 3. Consent Form in Book 6](#)).
- If this is not the case, athletes from that Member Association shall not be eligible to compete in the Championship.
- 3.7.3. The number of athletes that may be entered by a Member Association is limited.
- 3.7.3.1. *At World Championships, a Member Association may enter no more than three athletes in each category.*
- 3.7.3.2. *A mixed team consists of one female and one male athlete of the same category.*
- 3.7.4. A World Championship shall not be held for any category for which preliminary entries reflect fewer than 12 individuals and six teams. For the Youth and Para-Archery categories, the minimum numbers shall be eight individuals and four teams.
- 3.7.4.1. *If fewer athletes/teams are entered than the number required for each match play round (see [4.5. Rounds](#)), byes shall be permitted.*
- 3.7.4.2. *A match with a bye is a match that does not take place because not enough athletes are entered for a round to provide*

opponents for each match of that round. The athlete/team with a bye qualifies for the following round.

3.7.4.3. *Organisers shall ask for the date of birth of each athlete of a Youth Class and formal proof to be provided.*

3.8. Accreditation

3.8.1. The organisers shall issue appropriate accreditation to each participant and official, in accordance with World Archery Accreditation Guidelines:

3.8.1.1. *The proof of accreditation shall be carried at all times on the competition area and shall be shown on request of appropriate officials.*

3.8.1.2. *Only holders of appropriate accreditation shall be allowed onto the relevant parts of the competition area.*

3.9. Championship Documents

3.9.1. The organisers are responsible for providing the following documents:

3.9.1.1. *A programme for the Championship indicating dates, times and venues of all competitions, ceremonies, occasions and services of interest to athletes and official before and during the competition; this programme shall have been approved by the Co-ordination Committee;*

3.9.1.2. *A list of the target assignments and intermediary and final results at the venue;*

3.9.1.3. *The final detailed results list shall be distributed by World Archery after the event.*

3.10. Director of Shooting

3.10.1. The Judges Committee shall appoint a Director of Shooting.

3.10.1.1. *The organisers shall appoint a Deputy Director of Shooting and, if necessary, one or more Assistants.*

3.10.1.2. *The Director of Shooting, his Deputy and his Assistants shall not have other tasks during the hours of competition nor take part in the shooting.*

3.11. Tournament Judge Commission

3.11.1. Judging shall be run by the Tournament Judge Commission.

3.11.1.1. *For International Events there shall be a minimum of one Judge for every seven targets in the Qualification Round of the Target Championships and for every four targets in the Qualification Rounds of the Field Championships.*

3.11.1.2. *For other events there shall always be a minimum of one Judge. For every 10 target butts at least one Judge shall be appointed.*

3.11.2. Judges shall be appointed by the Judges Committee.

3.11.2.1. *The Judges Committee shall notify the names of the appointed Judges to the Secretary General and the organisers no later than 90 days before the first day of the competition. The Judges Committee shall receive confirmation of the Judges' availability before making the appointment.*

3.11.2.2. *If possible, no more than two Judges shall be appointed from any one Member Association.*

3.11.3. The Judges Committee shall appoint one additional Judge as chairperson.

3.11.3.1. *The Tournament Judge Commission shall co-operate closely with the Technical Delegate.*

3.11.3.2. *At Field Championships each Judge shall be connected by communication equipment to the central post (see [Article 8.1.1.17.](#) and [Article 9.1.1.12.](#)).*

3.11.4. The chairperson, on behalf of the Tournament Judge Commission, shall present a report on the tournament to the Secretary General.

3.12. Roles and Responsibilities of Judges

3.12.1. The Judges' duties are to ensure that the tournament is conducted according to the Constitution and Rules, and in fairness to all athletes.

3.12.1.1. *They shall check all distances and the correct layout of the range or courses; the dimensions of target faces and target butts; that the faces are set at the correct height from the ground; that all butts are set at a uniform angle.*

3.12.1.2. *They shall check all the necessary venue equipment.*

3.12.1.3. *They shall check all athletes' equipment before the tournament and at any time thereafter during the tournament.*

3.12.1.4. *They shall control the conduct of the shooting and scoring.*

3.12.1.5. *They shall consult with the Director of Shooting and the Chairperson of the Tournament Judge Commission on questions which arise regarding the shooting.*

3.12.1.6. *They shall handle any disputes and appeals which may arise and, where appropriate, pass them on to the Jury of*

Appeal.

- 3.12.1.7. *They shall in liaison with the Director of Shooting interrupt the shooting if necessary because of weather conditions, power failures, a serious accident, or other occurrences, but to attempt, if at all possible, that each day's program is completed on that day.*
- 3.12.1.8. *They shall consider relevant complaints or requests from Team Captains and, where applicable, take suitable action. Collective decisions shall be made by a simple majority of votes. In case of a tie, the chairperson shall have a tie breaking vote.*
- 3.12.1.9. *They shall deal with questions concerning the conduct of the shooting or the conduct of an athlete. These questions shall be lodged with the Judges without any undue delay and in any event shall be lodged before the prize giving. The ruling of the Judges or Jury of Appeal, as applicable, shall be final.*
- 3.12.1.10. *They shall ensure as far as possible that athletes and officials conform to the Constitution and Rules as well as to decisions and directives the Judges may find it necessary to make.*

3.13. Jury of Appeal

- 3.13.1. A Jury of Appeal of three members shall be appointed by the Executive Committee for every World Championships.
- 3.13.2. The decision made by the Jury of Appeal is final.
- 3.13.3. Appeals against rulings by the Judges shall be presented, in writing, by Team Managers, or appellants if no Team Manager has been designated.
 - 3.13.3.1. *An intention to appeal when it might affect the progression of an athlete from one stage of the competition to the next, shall be expressed in writing and lodged with the chairperson of the Tournament Judge Commission within five minutes of the end of the relevant round or match, whichever applies. During the Finals of match play rounds, the notice of intent to file an appeal shall be given within five minutes of the end of the match, or prior to the start of the next match, whichever is first.*
 - 3.13.3.2. *The written appeal shall be lodged with the Jury within 15 minutes of the end of the relevant round or match, whichever applies.*
- 3.13.4. An appeal is subject to a fee that shall be returned if the appeal is upheld or if the Jury of Appeal decides that it is appropriate. The amount shall be determined by the Executive Board on an annual basis.
- 3.13.5. As soon as an appeal is received, a communication to the Team Managers shall be made that an appeal has been made and what the appeal is about.
- 3.13.6. Members of the Organising Committee or persons participating in the Championship are not eligible for the Jury of Appeal.
- 3.13.7. The Jury shall be available at all times during the Championship, including the day of official practice. During match play competitions the Jury shall be present and available at the competition venue.
- 3.13.8. Jury decisions shall be minuted and reported to the appellant, the chairperson of the Tournament Judge Commission and the organisers before the beginning of the next stage of the competition or before the awarding of prizes.

3.14. Scorers

- 3.14.1. There shall be scorers in sufficient numbers to ensure that each target in a Championship has a scorer.
 - 3.14.1.1. *These scorers can be athletes when there is more than one athlete per target. Scorers assigned by the organisers and who do not take part in the shooting, shall not become involved in any discussion regarding the value of an arrow. Two athletes from each group at Field Championships shall be designated as scorers.*
 - 3.14.1.2. *The scorers who are not athletes shall work under the supervision of one or more officials appointed by the organisers, who shall be responsible for the correct management of the scoring.*
 - 3.14.1.3. *One or more scoreboards, of sufficient size to show the target number, name, NOC code for Member Association and progressive score of at least the first eight in each event shall be maintained.*
 - 3.14.1.4. *In the case of electronic scoring, manual scorecards shall also be kept. The arrow values and information entered on the manual score cards are the official reference.*

3.15. Draw for Shooting Positions

- 3.15.1. The organisers shall allocate to each athlete an athletes' number. These numbers shall be worn by the athletes and be shown in the programme to enable the spectators and others to recognise them.
 - 3.15.1.1. *The athletes' number shall remain unchanged throughout the tournament (with the exception of [Article 3.15.1.5.](#)).*
 - 3.15.1.2. *The draw of allocation to targets or shooting groups and the respective athletes' numbers shall be arranged electronically and approved by the Technical Delegate.
Women and Men, and when applicable, different divisions, shall be drawn separately. In Field and 3D Championships, athletes from the same nations are to be separated by at least one group whereas in other championships athletes from the same team may all be placed on adjoining targets or shooting groups.*

- 3.15.1.3. *Substitution of an athlete shall be allowed until the day before official practice.*
- 3.15.1.4. *Team officials and athletes may attend the draw but shall not have the right to speak.*
- 3.15.1.5. *For Olympic Games and World Archery Championships: At the end of the Ranking or Qualification Round the athletes shall be given athletes' numbers depending on the position they have gained in the Qualification/ Ranking Round: 1 – 64 (32, 104) for Individuals. These athletes' numbers are to be worn up to the end of the competition.*

3.16. Repositioning on Targets

3.16.1. At Championships, athletes shall be repositioned as follows:

- 3.16.1.1. *For the Qualification Round, Judges may alter the target assignment so that there shall be no more than one athlete from the same Member Association on one target. Under no circumstances shall more than two athletes from the same Member Association be assigned to a target.*
- 3.16.1.2. *In Target Archery Championships the athletes shall be seeded into the match play chart (see [Appendix 3-Match Play Charts](#)) according to the position reached in the Qualification Round.*
- 3.16.1.3. *At Field Archery Championships, after the first day of the Qualification Round and after each subsequent round, according to the position reached in the previous round. The organisers shall take care that there shall be no more than one athlete from the same Member Association in the same shooting group. However, if this is not possible, under no circumstances shall more than two athletes from the same Member Association be assigned to a target with the exception of the Finals Rounds (semi finals and finals).*
- 3.16.1.4. *In 3D Archery the repositioning shall take place after the first Qualification Round and after each subsequent round (until the semi-finals) according to the position reached in the previous round and the principles set forth in [Article 3.16.1.3.](#)*

3.17. Equipment Inspection

3.17.1. On the day before the first day of competition, the organisers shall arrange, on or near the practice field, for the inspection by the Judges of all the equipment including spares and accessories that each athlete intends to use during the competition of World Championships, Olympic Games, other Games and other Major International Events.

- 3.17.1.1. *Teams shall be called in alphabetical order and all athletes shall be accompanied by their Team Manager.*
- 3.17.1.2. *Judges may request equipment to be modified or changed if found to contravene the equipment rules.*

3.18. Championship Tournaments

3.18.1. The format for the World Archery Championships and World Archery Youth Championships shall be:

- for the Recurve Division, a Qualification Round consisting of a 70m (60m for cadets) Round followed by an Olympic Round and;
- for the Compound Division, a Qualification Round consisting of a 50m Compound Round followed by the Compound Match Round.

3.18.2. The format for the World Archery Indoor Championships shall be a Qualification Round consisting of the 18m Round followed by an Indoor Match Round.

3.18.3. The format for the World Archery Field Championships shall be a World Archery Field Championship Round.

3.18.4. The format for the World Archery 3D Championships shall be a 3D Championship Round.

3.18.5. Archery competitions may be shot at night time provided suitable lighting conditions can be supplied and athletes can practise under such conditions.

3.18.6. The President may adjust the schedule of Championships or Games to accommodate any reasonable requirement of TV broadcasters. Such an adjustment is to be made with the co-operation of the organisers. Any adjustment shall take into account, as a priority, the interests of the athletes who shall be informed of changes as soon as possible.

3.19. Programme and Protocol

3.19.1. The Programme and Protocol shall be established by the Co-ordination Committee and be published in the invitation to the Championships.

3.19.1.1. *The programme of a Championships shall include:*

- *Team Managers meeting;*
- *Equipment Inspection;*
- *Official Practice;*
- *Opening Ceremony;*
- *Competition;*
- *Award Ceremonies;*
- *Closing Ceremony;*

*The schedule shall depend on the number of athletes per category and the space available.
The programme shall be in accordance with the guidelines of the Organisers Manual.*

3.20. Field of Play

for Olympic Games and World Championships

3.20.1. For Olympic Games, World Archery, World Archery Youth, World Archery Para, World Archery Indoor Championships and all International Events, the following Finals field of play rules apply:

3.20.1.1. *The following items for the athlete shall be allowed:*

- *two bows;*
- *Equipment as listed in [11. Chapter 11-Athletes Equipment in Book 3](#), with the exception of telescopes.*

3.20.1.2. *The following items for the team official shall be allowed:*

- *one belt pack to carry archery accessories for the athlete or team;*
- *one pair of binoculars or spotting scope with tripod.*

3.20.1.3. *In case of inclement weather, necessary protection, in addition to clothing, may be used upon approval by the Technical Delegate (or, in his absence, the chairperson of the Tournament Judge Commission) of the event.*

3.20.2. For Olympic Games and World Archery Championships for match play competition, there can be two fields of play, each containing two targets.

Chapter 4

Competitions

4.1. Disciplines

4.1.1. Competition in Archery is held in the following disciplines:

- Outdoor Archery;
- Indoor Archery;
- Field Archery;
- Para-Archery;
- Run Archery;
- Clout Archery;
- Flight Archery;
- Ski Archery;
- 3D Archery.

4.2. Classes

4.2.1. World Archery recognises the following classes:

- Cadet Women;
- Cadet Men;
- Junior Women;
- Junior Men;
- Women;
- Men;
- Master Women;
- Master Men;
- For Para-Archery, see [21. Chapter 21-Para-Archery in Book 3](#).

4.2.2. Separate events for Cadet and Junior Women, Cadet and Junior Men, Master Women and Men can be organised in the disciplines of Target and Field Archery.

4.2.2.1. At each competition an athlete can compete in one class only. This applies to all classes for which he is eligible.

4.2.3. An athlete may participate in a Cadet Class in tournaments when the competition takes place up to and in the year of his 17th birthday.

4.2.4. An athlete may participate in a Junior Class in tournaments when the competition takes place up to and in the year of his 20th birthday.

4.2.5. An athlete may participate in a Master Class in tournaments when the competition takes place in the year of his 50th birthday and thereafter.

4.3. Divisions

4.3.1. Athletes using different types of bows are grouped in separate divisions and compete in separate events. World Archery recognises the following divisions:

4.3.2. For Target Archery (see [Book 3- Target Archery in Book 3](#)):

- Recurve Division;
- Compound Division;
- Standard Bow Division (for Standard Round only).

4.3.3. For Field Archery (see [Book 4-Field and 3D Archery in Book 4](#)):

For championships:

- Recurve Division;
- Compound Division;
- Barebow Division.

4.3.4. For Clout Archery (see [32.4. The Clout Round in](#)):

- Recurve Division;
- Compound Division.

4.3.5. For Flight Archery (see [32.5. Flight Shooting in](#)):

- Target Recurve Bow;
- Conventional Flight Bow;
- American Longbow;
- English Longbow;
- Compound Flight Bow;
- Compound Target Bow;
- Foot Bow.

4.3.6. For Para-Archery (see [21. Chapter 21-Para-Archery in Book 3](#)):

- Recurve Division;
- Compound Division.

4.3.7. For 3D Archery (see [Book 4-Field and 3D Archery in Book 4](#)):

- Compound Division;
- Barebow Division;
- Longbow Division;
- Instinctive Bow Division.

4.3.8. Athletes may compete in different divisions of the same tournament but under no circumstances may the programme of the tournament be modified or be held up to accommodate that athlete.

4.4. Categories

The combination of a class and a division is defined as a ‘Category’ as follows:

Recurve			
Recurve Women	RW	Recurve Men	RM
Recurve Junior Women	RJW	Recurve Junior Men	RJM
Recurve Master Women	RMW	Recurve Mastr Men	RMM
Recurve Cadet Women	RCW	Recurve Cadet Men	RCM
Compound			
Compound Women	CW	Compound Men	CM
Compound Junior Women	CJW	Compound Junior Men	CJM
Compound Master Women	CMW	Compound Master Men	CMM
Compound Cadet Women	CCW	Compound Cadet Men	CCM
Para Recurve			
Recurve Women Open	RWO	Recurve Men Open	RMO
Para Compound			
Compound Women Open	CWO	Compound Men Open	CMO
W1 Open			
Women W1 Open (Rec/Comp)	WW1	Men W1 Open (Rec/Comp)	MW1
Visually Impaired			
Visually Impaired 1	VI1	Visually Impaired 2 / 3	VI2/3
Barebow			
Barebow Women	BW	Barebow Men	BM
Barebow Junior Women	BJW	Barebow Junior Men	BJM
Barebow Cadet Women	BCW	Barebow Cadet Men	BCM
Longbow and Instinctive bow			
Longbow Women	LW	Longbow Men	LM
Instinctive bow Women	IW	Instinctive bow Men	IM

4.5. Rounds

4.5.1. Outdoor Archery Rounds

4.5.1.1. In the Olympic Games only the Recurve Division may compete.

4.5.1.2. The Elimination and Final Rounds consist of:

- The Elimination Round, in which the top 104 athletes (mandatory for World Archery Championships) are seeded according to their positions in the Qualifying Round(see [Appendix 3-Match Play Charts](#)). . They shoot a series of matches in groups, each match consisting of the best of five sets of three arrows for recurve and five ends of three arrows for compound.
- The Finals Round, in which the eight athletes remaining from the Elimination round shoot individual matches, each match consisting of the best of five sets of three arrows for recurve and five ends of three arrows for compound, culminating in the gold Medal match. At World Archery Championships the matches shall be shot one after the other. The athletes shall shoot alternately one arrow at a time.
- The Team Elimination Round, in which the top 24 teams (16 in the Olympic Games) of three athletes seeded according to their positions as determined by their total score in the Qualification Round (see [Appendix 3-Match Play Charts, 8. Match Play Chart 5 \(24 teams, byes are permitted\)](#)) shoot simultaneously a series of matches, each match for recurve consisting of the best of four sets of six

- arrows (two per athlete) and for compound consisting of four ends of six arrows (two per athlete) in cumulative score;
- The Team Finals Round, in which the four teams qualifying from the Elimination Round shoot a series of matches, each match for recurve consisting of the best of four sets of six arrows (two per athlete) and for compound consisting of four ends of six arrows (two per athlete) in cumulative score culminating in the Team Gold Medal match. In the Olympic Games, the Medal matches of the World Archery Championships and Archery World Cup Events, the teams shoot alternately in three arrow segments. For other events alternating shooting is optional. The timing is started and stopped when the athlete crosses the 1m line;
- The Mixed Team Round in which the top 24 teams (16 in the Olympic Games) composed of the top ranked man and the top ranked woman from the same Member Association are seeded according to their positions as determined by their total score in the Qualification Round (see [Appendix 3-Match Play Charts, 8. Match Play Chart 5 \(24 teams, byes are permitted\)](#)), shoot simultaneously a series of matches, each match for recurve consisting of the best of four sets of four arrows (two per athlete) and for compound consisting of four ends of four arrows (two per athlete) in cumulative score;
- The format may be amended to fit special stadiums and locations that are very attractive for archery. It is necessary to notify Member Associations at least one year in advance of the event;
- For Recurve the round will be called the Olympic Round and shall be shot at 70m (60m for Cadets and Masters) on 122cm target faces, whereas for compound it will be called the Compound Match Round and shall be shot at 50m on an 80cm six ring target face.
- A team shall consist of the highest ranked three (or two if a Mixed Team) athletes from the Qualification Round unless the Team Manager notifies the Director of Shooting or the Chairman of Judges in writing at least one hour before the start of that round of competition of a substitution of another athlete who competed in the Qualification Round. A violation of the foregoing will result in disqualification of the team. In case of substitution medals shall only be awarded to the athletes that shot the Team round, not the qualification round.

4.5.1.3. The 50m Round for Compound consists of 72 arrows on the 80cm target face.

4.5.1.4. The 60m Round (for Recurve) for Cadets and Masters consists of 72 arrows shot at 60m on the 122cm target face.

4.5.1.5. The 70m Round (for Recurve) consists of 72 arrows shot at 70m on the 122cm target face.

4.5.1.6. The Visually Impaired Round is defined in [21. Chapter 21-Para-Archery in Book 3](#).

4.5.2. Indoor Archery Rounds

4.5.2.1. The 18m Round consists of 60 arrows on the 40cm target face or the 40cm triple face.

4.5.2.2. The Match Round is shot on the 40cm triple face at 18m and consists of:

- 4.5.2.2.1.
 - The Recurve Elimination Round, in which 32 athletes are seeded according to their positions in the Qualification Round (see [Appendix 3-Match Play Charts, 4. Match Play Chart 3 \(32 athletes, byes are permitted\)](#)). They shoot a series of matches in groups, each match consisting of the best of five sets of three arrows;
 - The Recurve Finals Round, in which the eight athletes qualifying from the Elimination Round shoot a series of individual matches, each match consisting of the best of five sets of three arrows, culminating in the Gold Medal match. The athletes shall shoot alternately one arrow at a time;
 - The Recurve Team Elimination Round, in which the top 16 teams of three athletes seeded according to their positions as determined by their total scores in the Qualification Round (see [Appendix 3-Match Play Charts, 5. Match Play Chart 4 \(16 athletes / teams, byes are permitted\)](#)), shoot simultaneously a series of matches, each Match consisting of the best of four sets of six arrows (two per athlete);
 - The Recurve Team Finals Round, in which the four teams remaining from the Elimination Round shoot a series of individual matches, each Match consisting of the best of four sets of six arrows (two per athlete), culminating in the Team Gold Medal match.
- 4.5.2.2.2.
 - The Compound Elimination Round, in which 32 athletes are seeded according to their positions in the Qualification Round (see [Appendix 3-Match Play Charts, 4. Match Play Chart 3 \(32 athletes, byes are permitted\)](#)). They shoot a series of matches in groups, each match consisting of five ends with cumulative scoring.
 - The Compound Finals Round, in which the eight athletes qualifying from the Elimination Round shoot a series of individual matches, each match consisting of five ends with cumulative scoring, culminating in the Gold Medal match. The athletes shall shoot

alternately one arrow at a time;

- The Compound Team Elimination Round, in which the top 16 teams of three athletes seeded according to their positions as determined by their total scores in the Qualification Round (see [Appendix 3-Match Play Charts, 5. Match Play Chart 4 \(16 athletes / teams, byes are permitted\)](#)), shoot simultaneously a series of matches, each match consisting of four ends of six arrows (two per athlete);
- The Compound Team Finals Round, in which the four teams remaining from the Elimination Round shoot a series of individual matches, each match consisting of four ends of six arrows (two per athlete), culminating in the Team Gold Medal match.

4.5.2.3. Vertical triple faces shall be mandatory for the World Archery Indoor Championships.

4.5.2.4. The Visually Impaired Round is defined in [21.12. Visually Impaired Athletes in Book 3](#).

4.5.3. Field Archery Rounds

4.5.3.1. The Field Round consists of 24 targets. Three arrows are shot per target. These targets shall be laid out in a course considering the challenges in aiming and shooting as the tradition of the discipline requires. The distances for target butts are set out in [8.1.1.9. Unit for Unmarked Course](#) and [8.1.1.10. Unit for Marked Course](#). The course may be all marked or all unmarked or a combination of marked and unmarked distances. There may be any number of walk-ups or fan targets.

4.5.3.1.1. A round may use the same course twice, except at World Championships.

4.5.3.2. The Arrowhead Round consists of 24 or 48 targets which is two complete Field Rounds. The distances are set out in [8.1.1.9. Unit for Unmarked Course](#) and [8.1.1.10. Unit for Marked Course](#). The rounds may be shot on marked, unmarked or any combination of marked and unmarked targets.

4.5.3.3. The World Archery Field Championship Round in which there are no walk-up or fan targets, consists of:

4.5.3.3.1. The Qualification Round, two Field Rounds each of 24 targets, one unmarked course to be shot on the first day of competition and one marked to be shot on the second day of competition;

4.5.3.3.2. The Elimination Round consists of the pool shoot-up process. Athletes ranked in position 1 and 2 will automatically take a place in the semi-final. Athletes 3-22 will form 4 pools of 5 athletes and shoot for the remaining 2 semi-final positions,

4.5.3.3.3. The first match in each pool will be between the two lowest ranked archers in the pool. The archer with the highest score at the end of the six targets progresses to the next round. They will shoot against the next athlete in the pool.

4.5.3.3.4. The winner of Pool A will shoot against the winner of Pool B and the winner of Pool C will shoot against the winner of Pool D for entry into the semi finals.

Pool A	Pool B	Pool C	Pool D
3	5	4	6
10	8	9	7
11	13	12	14
18	16	17	15
19	21	20	22

4.5.3.3.5. Elimination matches will consist of 6 targets. All target faces should be available. (See notes from Field and 3D Committee on course laying for eliminations). Distances will be marked. Athletes will shoot simultaneously.

4.5.3.3.6. If there are fewer than 22 athletes, all will progress to the elimination and pools will be filled with all the eligible athletes.

4.5.3.3.7. The Finals Rounds in which the four top athletes shoot two matches (the semi-finals and the medal finals) consisting of four marked targets each, three arrows per target (see [Article 8.1.1.2.](#))

4.5.3.3.7.1. In the semi-finals, the winner of pool AB (athlete AB) shoots against the athlete ranked 2, and the winner of pool CD (athlete CD) will shoot against athlete ranked number 1. The winners compete in the Gold Medal match and the others in the Bronze Medal match. In the semi-finals, if the athletes shoot in a group of four, the pair consisting of athletes AB and 2 shall shoot first and, the other pair shall shoot as the second pair at all targets. In the medal finals, the athletes competing in the Bronze Medal match shall shoot first at all targets, followed by the Gold Medal match.

4.5.3.3.7.2. In the Finals Round the higher ranked athlete shall shoot from the left shooting position.

4.5.3.3.8. The top eight teams will shoot quarter final matches of four targets.

4.5.3.3.9. Targets will be laid to challenge the team, taking in to account the landscape available. At the

first target the higher ranked team decides who shall start shooting. Thereafter, the team with the lower cumulative score will shoot first at the following target and, if the teams are tied, then the team which started the match will shoot first;

4.5.3.3.9.1. They are seeded according to the positions as determined by the total scores (the three top scores) in the Qualification Round. The composition of the team shall be determined by the Team Manager. Each athlete shoots one arrow per target from the peg of his division (see match play). The winners of each match proceed to the Team Finals Round.

4.5.3.3.10. The Team Finals Rounds consist of the four qualifying teams (semi-finals) in each class, consisting of one athlete from each division.

- At the first target the higher ranked team decides who shall start shooting. Thereafter, the team with the lower cumulative score will shoot first at the following target and, if the teams are tied, then the team which started the match will shoot first;

4.5.3.3.10.1. Each athlete shoots one arrow per target from the peg of his division. The winning teams move to the Gold Medal match and the other teams move to the Bronze Medal match (Medal Finals). Both Medal matches are shot on an additional four marked targets (see individual finals for shooting procedures).

4.5.3.4. Finals Round

4.5.3.4.1. In the Finals Round each class and division shall form a group that shall start in this order:

- Barebow Women;
- Barebow Men;
- Recurve Women;
- Recurve Men;
- Compound Women;
- Compound Men.

4.5.3.4.2. The organisers decide whether the Finals Round are shot as one continuous round or whether there shall be a break between the semi-finals and the medal finals. The reorganisation of the groups shall take place after the fourth target. In case of a tie in the semi-finals, the tie should be decided on the fourth target before the reorganisation of the groups takes place. The organisers may allow the different categories to shoot on separate courses to speed up the competition.

4.5.4. Ski-Archery

4.5.4.1. Ski-Archery combines cross-country skiing and archery (see [33. Chapter 33-Ski-Archery in Chapter 33](#)).

4.5.5. Flight

4.5.5.1. See [32.5. Flight Shooting in](#).

4.5.6. The 3D Rounds

4.5.6.1. The 3D Round consists of 24 unmarked targets. Two arrows are shot per peg. These targets shall be laid out in a course considering the challenges in aiming and shooting as the tradition of the discipline requires. The distances for targets are set out in [Article 9.1.1.7.](#)

4.5.6.2. The 3D World Archery Championship Round consists of a Qualification Round followed by an Elimination Round and the Finals Rounds for Individuals and the Elimination Round and the Finals Round for Teams.

4.5.6.2.1. The Qualification Round consists of two 3D rounds of 24 unmarked targets.

4.5.6.2.2. The Elimination Round consists of the pool shoot-up process. Athletes ranked in position 1 and 2 will automatically take a place in the semifinal. Athletes 3-22 will form four pools of five athletes and shoot for the remaining two semi-final positions.

4.5.6.2.3. The first match in each pool will be between the two lowest ranked archers in the pool. The archer with the highest score at the end of the six targets progresses to the next round. They will shoot against the next athlete in the pool.

4.5.6.2.4. The winner of Pool A will shoot against the winner of Pool B and the winner of Pool C will shoot against the winner of Pool D for entry into the semi-finals.

Pool A	Pool B	Pool C	Pool D
3	5	4	6
10	8	9	7
11	13	12	14
18	16	17	15
19	21	20	22

- 4.5.6.2.5. Elimination matches will consist of 6 targets. (See notes from Field and 3D Committee on course laying for elimination). Distances will be unmarked. Athletes will shoot simultaneously.
- 4.5.6.2.6. If there are fewer than 22 athletes all will progress to the elimination and pools will be filled with all the eligible athletes.
- 4.5.6.2.7. The Finals Rounds in which the top four athletes per category qualifying from the Elimination Round shall shoot two matches (the semi-finals and the medal finals) consisting of four targets each.
- 4.5.6.2.7.1. The semi-finals, the winner of pool AB (athlete AB) shoots against the athlete ranked 2 and the winner of pool CD (athlete CD) will shoot against athlete ranked number 1. The winners compete in the Gold Medal match and the others in the Bronze Medal match.
- In the semi-finals, if the athletes shoot in a group of four, the pair consisting of athletes AB and 2 shall shoot first and, the other pair shall shoot as the second pair at all targets. In the medal finals, the athletes competing in the Bronze Medal match shall shoot first at all targets, followed by the Gold Medal match.
- 4.5.6.2.7.2. In the Finals Round, the highest ranked athlete shall shoot from the left.
- 4.5.6.2.8. The Team Elimination Round (quarter-finals) consists of the top eight teams in each class qualifying from the two Qualification Rounds shooting four targets each: A team shall be made up by one Compound athlete, one Longbow athlete and one athlete using either an Instinctive bow or a Barebow. The team ranking shall be based on the best athlete's results for each category after the second Qualification Round. (If both the Instinctive and the Barebow division are competing the higher result shall be taken for the ranking);
- 4.5.6.2.8.1. The teams are seeded according to the team ranking as established on the basis of the individual ranking for each category after the second Qualification Round.
- 4.5.6.2.8.2. At the first target the higher ranked team decides who shall start shooting. Thereafter, the team with the lower cumulative score will shoot first at the following target and, if the teams are tied, then the team which started the match will shoot first.
- 4.5.6.2.8.3. Each athlete shoots one arrow per target from the peg of his division (see match play). The winners of each match proceed to the Team Finals Round.
- 4.5.6.2.9. The Team Finals Rounds consist of the winning four teams from the Team Elimination Round. They shoot two matches of four targets each (semi-finals and Finals).
- 4.5.6.2.9.1. First match: semi-finals: The higher placed team decides who shall start shooting at the first target. Thereafter, the team with the lower cumulative score will shoot first at the following target and, if the teams are tied, then the team which started the match will shoot first. Each athlete in the team shoots one arrow per target from the peg of his division; Second match: Medal Match: The winners move to the Gold Medal match and the others to the Bronze Medal match (Medal Finals). Both medal matches are shot on an additional four targets.

4.5.6.3. Finals Rounds

- 4.5.6.3.1. The athletes of the different categories shall start their Finals Rounds in the following order: Longbow women - Longbow men Instinctive bow women - Instinctive bow men Barebow women - Barebow men Compound women - Compound men Or all women shall shoot first followed by all men.

4.6. Events and Tournaments

4.6.1. An event is a competition for which a separate list of results and separate set of prizes or titles can be given.

4.6.2. A tournament is an organised competition consisting of one or more events.

4.6.2.1. *Where tournaments consist of events belonging to more than one discipline, as specified in [4.1. Disciplines](#), the programme shall follow the order in which the disciplines are listed.*

4.7. World Archery Events

4.7.1. Only tournaments consisting of one or more of the following events can obtain official recognition from World Archery.

4.7.2. In the discipline of Outdoor Archery:

- For the Cadet Women, Cadet Men, Junior Women, Junior Men, Women, Men, Master Women and Master Men

classes:

- The 1440 Round;
- The 1440 Round for Teams;
- The Double 1440 Round;
- The Double 1440 Round for Teams;
- The 70m Round (recurve only);
- The Double 70m Round (recurve only);
- The 60m Round for Cadets and Masters (recurve only);
- The Double 60m Round for Cadets and Masters (recurve only);
- The 70m Round for Teams (recurve only);
- The 60m Round for Cadets and Masters Teams (recurve only);
- The Olympic Round (recurve only);
- The Olympic Round for Cadets and Masters (recurve only);
- The Compound 50m Round (compound only);
- The Compound Double 50m Round (compound only);
- The Compound 50m Team Round (compound only);
- The Compound Match Round (compound only).

4.7.3. In the discipline of Indoor Archery:

- For the Recurve and Compound Divisions for Cadet Women, Cadet Men, Junior Women, Junior Men, Women, Men, Master Women and Master Men:
 - The 18m Round;
 - The 25m Round;
 - The Combined Round;
 - The Recurve Indoor Match Round;
 - The Compound Indoor Match Round;
 - The Recurve Indoor Match Team Round;
 - The Compound Indoor Match Team Round.

4.7.4. In the discipline of Field Archery:

- For the Barebow, Recurve and Compound Divisions for Cadet Women, Cadet Men, Junior Women, Junior Men, Women, Men, Master Women and Master Men:
 - Field Round;
 - Arrowhead Round;
 - World Championship Round.

4.7.5. In the discipline of Ski Archery (see [33. Chapter 33-Ski-Archery in Chapter 33](#)).

4.7.6. In the discipline of Clout Archery (see [32.4. The Clout Round in](#)).

4.7.7. In the discipline of Flight Archery (see [32.5. Flight Shooting in](#)).

4.7.8. In the discipline of 3D Archery (see **The correct reference will be inserted as soon as possible.**).

4.7.9. In the discipline of Run-Archery (see [32.7. Run Archery in](#)).

4.7.10. In the discipline of Para-Archery (see [21. Chapter 21-Para-Archery in Book 3](#)).

4.8. Official Recognition of Tournaments

4.8.1. World Archery gives official recognition to tournaments for one or more of the following purposes:

- Competition for World titles (World Championships);
- Competition for Olympic titles (Olympic Archery Tournament);
- Competition for Paralympic titles (Paralympic Archery Tournament);
- Competition for World Ranking;
- Competition for Performance Awards and World Records;
- Competition for the gaining of Olympic and Paralympic qualification.

4.8.2. Requirements for the official recognition of tournaments.

4.8.2.1. *In order to obtain official recognition, tournaments shall conform to the standards of organisation set out in the appropriate articles in respect of:*

- *Registration;*
- *Announcement or invitations;*
- *Participation of athletes from other Member Associations;*
- *Order of shooting (target/group list);*
- *Judging;*
- *Publication of results.*

4.8.2.2. *Member Associations, wishing to obtain official recognition for a tournament shall announce it to the Secretary General seven days before the start of the competition including:*

- *The name and place of the tournament;*
- *The events it includes;*
- *Whether or not the tournament is open to teams or individual members of other Member Associations.*

4.8.2.3. *Provide a Director of Shooting and Judges and, in the case of international tournaments, a Jury of Appeal of three members; all Judges shall be approved by their Member Association or by World Archery.*

4.8.2.4. *Changes in the information requested under [Article 4.8.2.2.](#) can only be accepted by the Secretary General if announced at least seven days before the first day of shooting.*

Chapter 5

Titles and Records

5.1. World Championship Titles

5.1.1. World Archery Championships for the Recurve and Compound Divisions:

- Cadet Woman World Champion;
- Cadet Man World Champion;
- Cadet Women's Team World Champion;
- Cadet Men's Team World Champion.
- Cadet Mixed Team World Champion;
- Junior Woman World Champion;
- Junior Man World Champion;
- Junior Women's Team World Champion;
- Junior Men's Team World Champion;
- Junior Mixed Team World Champion;
- Woman World Champion;
- Man World Champion;
- Women's Team World Champion;
- Men's Team World Champion;
- Mixed Team World Champion;
- Master Woman World Champion;
- Master Man World Champion.

5.1.2. World Archery Indoor Championships for the Recurve and Compound Divisions:

- Junior Woman World Champion;
- Junior Man World Champion;
- Junior Women's Team World Champion;
- Junior Men's Team World Champion;
- Woman World Champion;
- Man World Champion;
- Women's Team World Champion;
- Men's Team World Champion;
- Master Woman World Champion;
- Master Man World Champion.

5.1.3. Field Archery World Championships for the Barebow, Recurve and Compound Divisions:

5.1.3.1. Individual Titles:

- Junior Woman World Champion;
- Junior Man World Champion;
- Woman World Champion;
- Man World Champion;
- Master Woman World Champion;
- Master Men World Champion.

5.1.3.2. Team Titles (one Barebow, one Recurve and one Compound):

- Junior Women's Team World Champion;
- Junior Men's Team World Champion;

- Women's Team World Champion;
- Men's Team World Champion.

5.1.4. Ski Archery (see [33. Chapter 33-Ski-Archery in Chapter 33](#)).

5.1.5. 3D Archery:

- Woman World Champion;
- Man World Champion;
- Women's Team World Champion;

- Men's Team World Champion.
- 5.1.6. Flight Archery (see [32.5. Flight Shooting in](#)):
- Junior Woman World Champion;
 - Junior Man World Champion;
 - Woman World Champion;
 - Man World Champion.
- 5.1.7. Run-Archery (see [32.7. Run Archery in](#)).
- 5.1.8. Para-Archery (see [21. Chapter 21-Para-Archery in Book 3](#)).

5.2. World Records - Definition

- 5.2.1. A new record shall be established when a score is at least one point higher, or in Flight Archery, the distance shot is 1cm further, than an existing record.
- 5.2.2. In case of a perfect score shot in Outdoor Archery a new record shall include the number of Inner 10s (X's) and shall require at least one more X than the existing record.

5.3. World Records

- 5.3.1. There shall be World Records

5.3.1.1. *for Outdoor Archery for Cadet Women, Cadet Men, Junior Women, Junior Men, Women, Men, Master Women and Master Men in the Recurve and Compound Divisions as applicable:*

- 1440 Round;
- 90m (36 arrows);
- 70m (36 arrows);
- 60m (36 arrows);
- 50m for Cadet Women and Master Women (122cm face);
- 50m (36 arrows on a 80cm face);
- 40m for Cadet Women and Master Women;
- 30m (36 arrows).

World Records for the above distances may only be shot as part of the 1440 Round.

- 70m Round (72 arrows);
- Double 70m Round (144 arrows);
- 60m Round for Cadets and Masters (72 arrows);
- Double 60m Round for Cadets and Masters (144 arrows);
- Team 1440 Round (3 X 144 arrows);
- Team 70m Round (3 X 72 arrows);
- Team 60m Round for Cadets (3 X 72 arrows);
- Compound 50m Round (72 arrows);
- Compound Double 50m Round (144 arrows);
- Compound 50m Team Round (3x72 arrows);
- Individual Compound Match Round (15 arrows);
- Compound Team Match Round (24 arrows);
- Compound Mixed Team Round (16 arrows);
- Mixed Team 70m Round (144 arrows);
- Mixed Team 60m Round (144 arrows);
- Mixed Team 50m Round (144 arrows);

5.3.1.2. *For Indoor Archery for Cadet Women, Cadet Men, Junior Women, Junior Men, Women, Men, Master Women and Master Men in the Recurve and Compound Divisions:*

- 25m;
- 18m;
- Indoor Compound Match Team Round (24 arrows);
- Indoor Compound Match Individual Round (15 arrows).

5.3.1.3. *For Flight Shooting for Women, Men, Junior Women and Junior Men for the World Archery Events listed in [32.5.4. World Archery Events in](#).*

5.3.1.4. For Para-Archery see [21. Chapter 21-Para-Archery in Book 3](#).

5.4. World Record Tournaments

- 5.4.1. The following tournaments are considered automatically as World Record Tournaments:
- Olympic and Paralympic Games;
 - World Championships;

- World Ranking Tournaments.

All other tournaments are not automatically considered as World Record tournaments and need to comply with all the requirements as specified in [Article 4.8.2.](#) and [Article 5.5.1.](#)

- 5.4.2. All Target Archery tournaments complying with [Article 4.8.2.](#) shall also be valid for recognition of World Records as defined in [5.2. World Records - Definition.](#)
- 5.4.3. Team World Records may be established at an event at which there is competition between at least three teams from different countries.

5.5. Confirmation of World Records

- 5.5.1. World Records shot at Olympic and Paralympic Games, World Championships and World Ranking Events are confirmed automatically as soon as the scores are official. Records shot at other tournaments complying with [Article 4.8.2.](#) are subject to confirmation by the Secretary General.

5.5.1.1. *Scores shot at other tournaments shall be sent to the Secretary General no later than 10 days after the tournament. Anyone can claim a record. A claim shall be accompanied by the declaration of the Member Association under the control of which the tournament was organised, including:*

- *The name, description, place and date of the tournament;*
- *Confirmation that the tournament was shot under World Archery Rules;*
- *Confirmation that the athlete(s) was a member of a Member Association at the time;*
- *Name, nationality and category of the athlete(s);*
- *A complete results list;*
- *Details of the record claimed, and supported by the original scorecard or a properly witnessed copy;*
- *Details of the international classification in case a para-athlete claims a World Record or a Para-Archery World Record.*

5.5.1.2. *The Secretary General shall review a claim for a World Record upon its receipt.*

5.5.1.3. *Should a World Record be broken by two or more equal scores made on the same day, the athletes shall be declared joint World Record holders.*

For Mixed Team 70m Round. If two athletes of the same gender shoot the same score, the athlete having a higher number of 10's and/or X's will be the record holder. In case the two have the same number of 10's and X's they will be joint record holder with the athlete from the other gender.

5.5.1.4. *World Record holders shall be presented with a diploma stating the result and the place of the record.*

5.6. Olympic Records

- 5.6.1. There shall be Olympic Records for:

5.6.1.1. *Individual: Women and Men:*

- *70m Round (72 arrows);*

5.6.1.2. *Teams: Women and Men:*

- *70m Round (3 x 72 arrows).*

5.7. Confirmation of Olympic Records

- 5.7.1. Olympic Records are confirmed automatically as soon as the scores are official.

Chapter 6

Medals, Trophies and Performance Awards

6.1. Medals

6.1.1. Championship medals shall be awarded to first, second and third in each event.

6.2. Prizes and Trophies

6.2.1. At World Championships diplomas shall be awarded to the top eight individual athletes in each event.

6.2.2. At Championships prizes shall be awarded to the top three individual athletes in the Qualification Round.

6.2.2.1. *The organisers may award other prizes at their discretion.*

6.3. Performance Awards

6.3.1. The performance awards shall be granted when the athlete achieves the relevant scores for the first time in the appropriate event.

6.3.1.1. *Only one performance award can be claimed for each score.*

6.3.2. For the 1440 Round there shall be World Archery Stars in relation to the scores obtained as follows:

6.3.2.1. *Recurve Division: The World Archery Star on a shield:*

	WORLD ARCHERY STARS AWARD – Recurve					
	Star	Star on Black	Star on Blue	Star on Red	Star on Gold	Star on Purple
Men and Women	1000 points	1100 Points	1200 Points	1300 points	1350 points	1400 points

6.3.2.2. *Compound Division: The World Archery Star on a circular background:*

	WORLD ARCHERY STAR AWARD – Compound					
	Star	Star on Black	Star on Blue	Star on Red	Star on Gold	Star on Purple
Men and Women	1000 points	1100 Points	1200 Points	1300 points	1350 points	1400 points

6.3.2.3. *Silver Star Award: For Cadet and Master Recurve and Compound Division*

	SILVER STAR AWARD – Recurve and Compound					
	Star	Star on Black	Star on Blue	Star on Red	Star on Gold	Star on Purple
Men and Women	1000 points	1100 Points	1200 Points	1300 points	1350 points	1400 points

6.3.3. For other Target Archery Rounds there shall be Target Awards:

6.3.3.1. *These badges shall be on a circular coloured background and awarded for the scores set out in the chart below and for the following Rounds:*

- 70m Round (Recurve only);
- 900 Round;
- 25m Round;
- 18m Round;
- 50m Compound Round (Compound only).

	TARGET AWARD - Recurve + Compound					
Target	White	Black	Blue	Red	Gold	Purple
70m Round	500	550	600	650	675	700
900 Round	750	800	830	860	875	890
25m Round	500	525	550	575	585	595
18m Round	500	525	550	575	585	595
50m Compound Round	500	550	600	650	675	700

6.3.3.2. *There shall be Silver Target Awards for Master and Cadet Classes:*

- 60m Round (recurve only).

	SILVER TARGET AWARD - Recurve + Compound					
Target	on White	on Black	on Blue	on Red	on Gold	on Purple
60m Round	500	550	600	650	675	700

6.3.3.3. Only one Target Award in each colour may be claimed, regardless of the round shot.

6.3.4. For the Arrowhead Round there shall be World Archery Arrowhead Badges:

6.3.4.1. These badges shall be awarded for the Recurve Division as follows:

WORLD ARCHERY ARROWHEAD BADGES

Recurve

	24 targets		48 targets	
	men	women	men	women
Green	219	196	438	392
Brown	244	227	488	454
Grey	265	249	530	498
Black	291	279	582	558
White	313	302	626	604
Silver	338	323	676	646
Gold	350	339	700	678

6.3.4.2. These badges shall be awarded for the Barebow Division as follows:

WORLD ARCHERY ARROWHEAD BADGES

Barebow

	24 targets		48 targets	
	men	women	men	women
Green	191	182	382	364
Brown	230	198	460	396
Grey	250	226	500	452
Black	273	250	546	500
White	294	275	588	550
Silver	316	299	632	598
Gold	335	312	670	624

6.3.4.3. These badges shall be awarded for the Compound Division as follows:

WORLD ARCHERY ARROWHEAD BADGES

Compound

	24 targets		48 targets	
	men	women	men	women
Green	292	275	584	550
Brown	313	301	626	602
Grey	331	318	662	636
Black	351	338	702	676
White	371	357	742	714
Silver	389	377	778	754
Gold	399	388	798	776

6.3.4.4. The Green and Brown Arrowhead may be obtained by the Cadets on their specific rounds. Juniors can obtain all Arrowheads since they shoot the same distances as the Men and Women.

6.4. Events for Performance Awards

6.4.1. The Star Awards can be gained on the scores obtained in a 1440 Round or in either 1440 Round of a Double 1440 Round, when organised in accordance with [6.5. Applications for Awards](#).

6.4.2. The performance awards can be gained at tournaments organised by Member Associations and recognised by World Archery (see [4.8. Official Recognition of Tournaments](#)) for which the Member Association shall pay a fee established by the Executive Board within the maximum amount established by Congress.

6.5. Applications for Awards

6.5.1. Supplies of performance awards shall be sent to Member Associations in the numbers requested, except for the higher value performance awards.

6.5.1.1. The higher value performance awards are:

- 1350 and 1400 Star Awards;
- Gold and Purple Target Awards;
- Gold and Silver Arrowhead badges.

6.5.2. The Member Association shall be responsible for:

6.5.2.1. Paying for such awards the price of which has been approved by the Executive Board.

- 6.5.2.2. *Recording the name or description, place and date of the tournament.*
- 6.5.2.3. *Verifying that the tournament was shot according to World Archery Rules.*
- 6.5.2.4. *Verifying that all athletes whose applications are submitted were affiliated to a Member Association at the time of the tournament.*
- 6.5.2.5. *Verifying the correctness of the original scorecards or a properly witnessed copy that shall accompany each application.*
- 6.5.3. Applications for the higher awards shall be sent to the Secretary General on behalf of the applicants by their Member Associations.
- 6.5.3.1. *Applications shall:*
- *Indicate the name and class of the applicants;*
 - *Indicate the names, places and dates of the tournaments;*
 - *Provide a statement of compliance with [Article 6.5.2.3.](#), [Article 6.5.2.4.](#) and [Article 6.5.2.5.](#);*
 - *Be accompanied by the original scorecard or a properly witnessed copy and a complete results list.*
- 6.5.3.2. *The Secretary General, if satisfied with the documentation received, shall forward the performance awards through the Member Association charging the fee established by the Executive Board and shall periodically publish lists.*

Chapter 7

Field of Play setup - Target Rounds

7.1. Field of Play Layout

7.1.1. The field of play shall comply with the following provisions:

- 7.1.1.1. *The field of play shall be established with corners of 90 degree angles. Each distance shall be accurately measured from a point vertically beneath the gold of each target face to the shooting line. The tolerance for distances is at 90/70/60m \pm 30cm; at 50/40/30m \pm 15cm; at 25/18m \pm 10cm.*
- 7.1.1.2. *A waiting line shall be marked at least 5m behind the shooting line outdoors and at least 3m indoors. A media line shall be marked one meter in front of the waiting line.*
- 7.1.1.3. *Each target butt outdoors shall be set up at an angle of between 10 and 15 degrees from vertical and between 0 and 10 degrees indoors, but a line of target butts shall be set up all at the same angle.*
- 7.1.1.4. *The height of the centres of the target faces in a line of target butts should look straight at all times.*
- 7.1.1.5. *All athletes in a category shall be assigned to one field of play.*
- 7.1.1.6. *Whenever possible three athletes per target shall be assigned. If the field of play does not permit this, four athletes shall be the maximum number per target butt.*
- 7.1.1.7. *There shall be a mark on the shooting line directly opposite each target butt. There shall also be a number corresponding to that target butt between 1 and 2m in front of the shooting line. If two or more athletes are shooting at the same target butt at the same time, the shooting positions shall be marked on the shooting line. A minimum space of 80cm per athlete shall be guaranteed. Where athletes in wheelchairs are competing, additional space shall be necessary. ([Article 21.11.4. in Book 3](#))*
- 7.1.1.8. *The field of play shall be divided into shooting lanes containing one to four butts. These lanes shall be marked by lines extending at right angles from the shooting line to the target line.*
- 7.1.1.9. *A line parallel to the shooting line shall be marked 3m in front of the shooting line.*
- 7.1.1.10. *Suitable barriers for the public shall be erected to keep spectators safe. Consideration should be given to any distractions caused to the athletes by movement of people, etc. behind the butts. Outdoors these barriers shall be at least 20m away from the sides of the first and last target set at 90m. This distance may be reduced in a straight line to a minimum of 10m away from the ends at the shooting line. This shall maintain a margin of approximately 13m from the target line when the target butts are moved to 30m. The barriers shall be at least 10m behind the waiting line. The barriers shall be set at least 50m beyond the 90m target line. This shall create a safety zone increasing to 110m when target butts have been moved forward to 30m. The safety distance of 50m may be reduced if an adequate backstop, e.g. efficient netting, a bank or similar device, is erected (not a hedge or penetrable fence). The backstop shall be high enough to stop arrows which have just missed the top of the butt at 90m. Indoors where the size of the hall dictates, suitable barriers shall be erected around the range to keep spectators back. These barriers shall be at least 10m from the ends of the target line and shall be at a minimum of 5m behind the waiting line. No spectators are allowed beyond the target line. Where the size of the hall does not require the erection of side barriers no spectators are allowed beyond the barrier situated behind the waiting line. (see image 1: Range Layouts)*

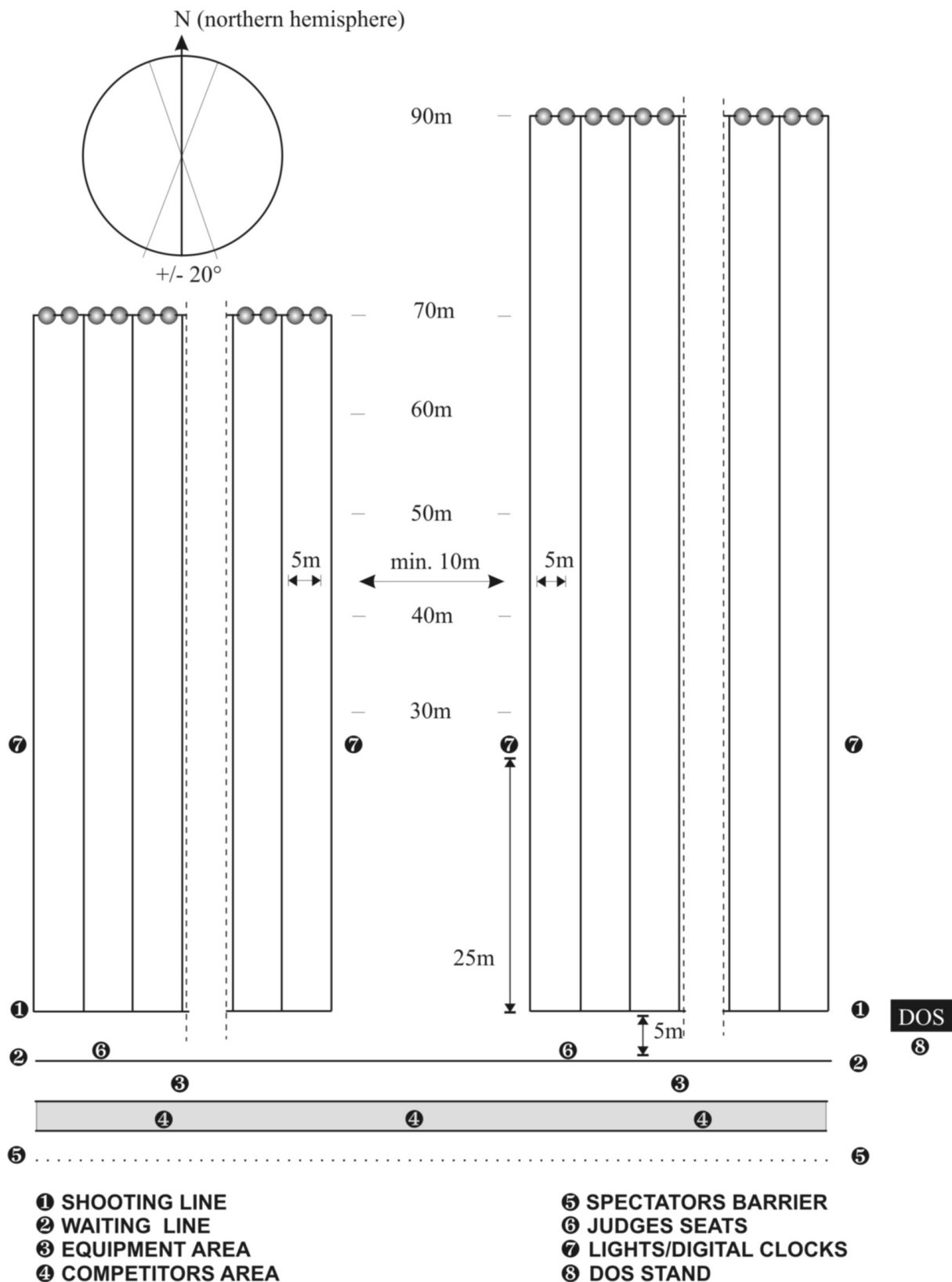


Image 1: Range Layouts

7.1.1.11. In the Elimination Rounds, target butts are to be arranged in closely set pairs.

7.1.1.12. For the Olympic and Compound Match Rounds a practice field shall be made available alongside the competition field, where athletes still in the competition may practice during the Elimination and Finals Round.

7.1.1.13. For the Team Rounds a clearly visible line shall be marked 1m behind the shooting line. This line shall be at least 3cm wide.

7.1.1.14. For the Team Rounds there shall be an athletes' area marked behind the 1m line, giving reasonable space for three athletes and their equipment and a coach's area behind the athletes' area. If space allows, there shall also be a small area marked for the Judge between the two competing teams.

7.2. Venue Equipment and Scoring Zones

7.2.1. Butts (buttresses)

The size of the front of the butt, whether round or square, shall be large enough to ensure that any arrow hitting the butt and just missing the outermost edge of the scoring zone remains in the butt. The arrows hitting shall remain embedded in the butt to allow proper scoring.

7.2.1.1. Butts shall be firmly attached to supports, which shall be pegged securely in the ground to prevent them from being blown or pulled over. Any part of the butt or its support likely to damage an arrow shall be covered. Care is necessary, particularly when more than one target face is placed on the butt, that arrows passing through the butt are not damaged by the support. See (see image 2: Outdoor target butt set-up) for outdoor and (see image 3: Indoor target butt set-up) for indoor target butt drawing.

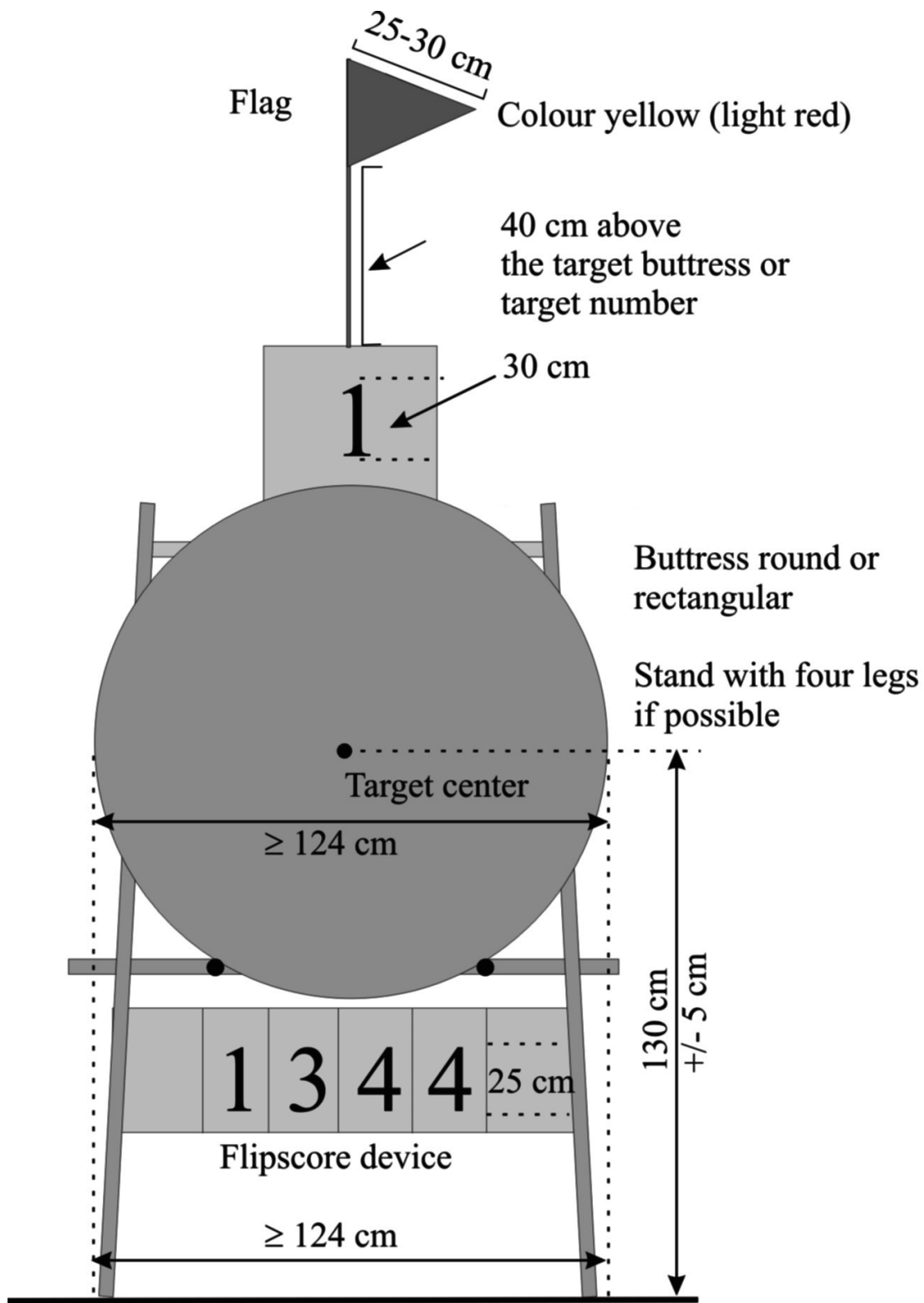


Image 2: Outdoor target butt set-up

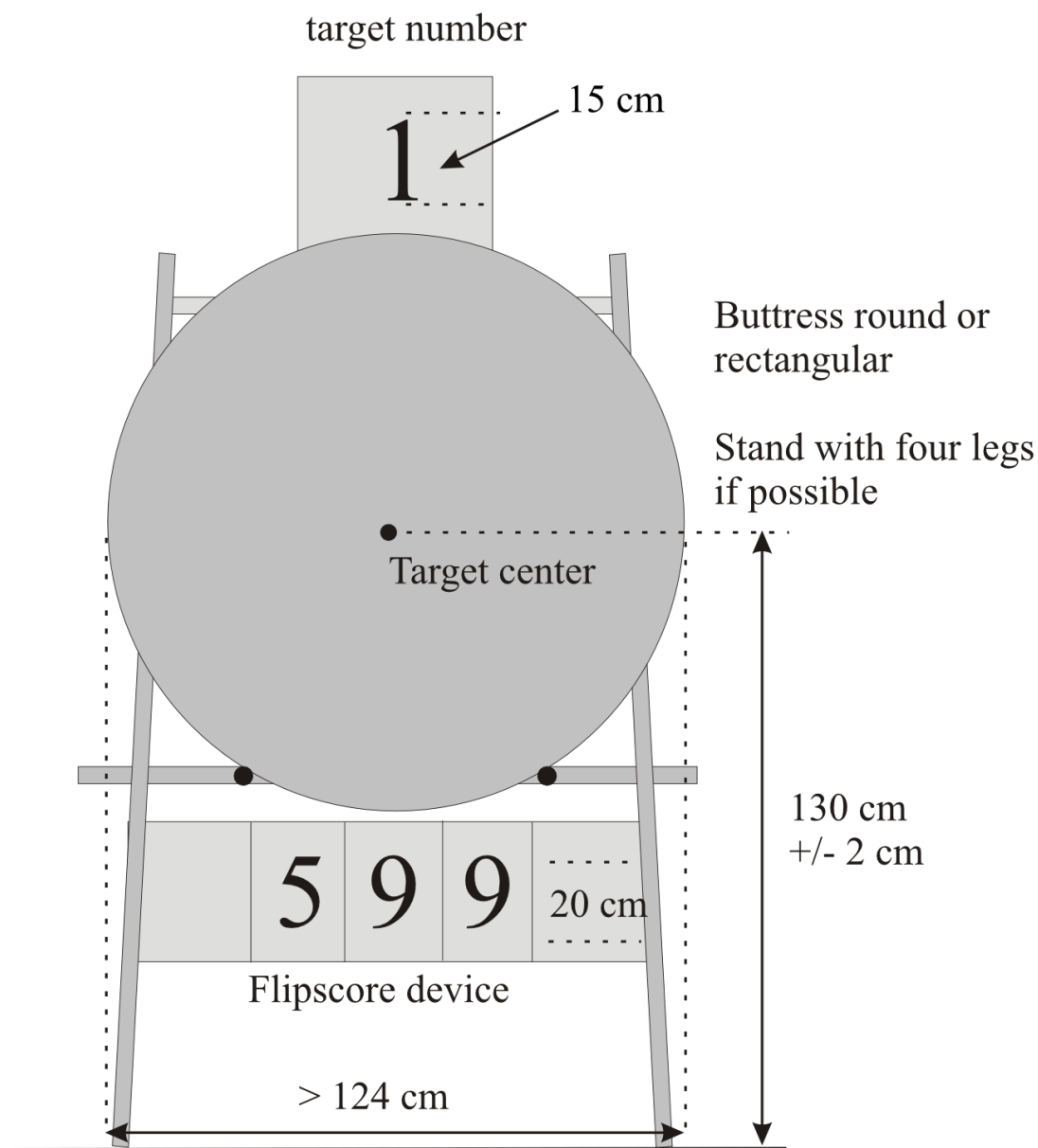


Image 3: Indoor target butt set-up

7.2.1.2. Each butt shall have a target number. These numbers shall be minimum 30cm tall (for Outdoor Rounds) and minimum 15cm (for Indoor Rounds). Target numbers shall be fixed above or below the centre of each target butt, so they are clear of the target face.

7.2.2. Target Faces

There are four outdoor target faces:

- The 122cm face, 122cm in diameter;
- The 80cm face, 80cm in diameter;
- The 80cm 6-ring face (for multiple set-up with score zones 5-10);
- The Academic Round Hit/miss face.

There are 10 indoor target faces:

- The 60cm diameter face;
- The 60cm triangular triple face;
- The 60cm vertical triple face;
- The 40cm diameter face;
- The 40cm triangular triple face;
- The 40cm vertical triple face
- The 40cm-R triangular triple face;
- The 40cm-C triangular triple face;
- The 40cm-R vertical triple face;
- The 40cm-C vertical triple face .

Only target faces produced by a manufacturer licensed by World Archery shall be used at World Archery

competitions.

7.2.2.1. Description:

The 122cm, 80cm, 60cm and 40cm faces are divided into five concentric colour zones arranged from the centre outwards as follows: yellow (gold), red, light blue, black and white. Each colour is divided by a thin line into two zones of equal width thus making 10 scoring zones of equal width when measured from the centre of the gold:

- 6.1cm on the 122cm target face;
- 4cm on the 80cm target face;
- 3cm on the 60cm face;
- 2cm on the 40cm face.

The dividing lines shall be entirely within the higher scoring zone in each case. There are no dividing lines between light blue and black, nor between black and white. The line marking the outermost edge of the white shall be made entirely within the scoring zone. The width of the thin dividing line and the outermost line shall not exceed 2mm on the target faces. The centre of the target face shall be indicated by a small “+” (cross). The lines of the cross shall not exceed 1mm in width or 4mm in length. An inner 10 ring, (which is marked as an X on the score cards) of 6.1cm in diameter for the 122cm target face and 4cm in diameter for the 80cm target face, is required to help determine ties in ranking. For indoor compound events the 10 ring is 3cm on the 60cm face and 2cm in diameter for the 40cm face.

- Outdoors the 80cm 6-ring face may be used at 50m, 40m and 30m. The rings have the same dimensions as the 80cm faces, but with the 4 to 1 scoring zones removed. The lowest scoring zone is the light blue 5.
- Indoors triple faces may be used as follows. (For the Indoor Match Round the 40cm triple face shall be used. R- and C- vertical triple faces are mandatory for the World Archery Indoor Championships). They have the same dimensions as the World Archery 60cm and 40cm faces respectively, but with the 5 to 1 scoring zones removed. The lowest scoring zone is therefore light blue 6. Each set consists of three small faces on a white background arranged symmetrically in a triangular pattern with the centres respectively bottom left, at the top, and at the bottom right, or in a vertical row. The centres of the golds shall be approximately 32cm distant from each other on 60cm faces and 22cm distant from each other on 40cm faces. There is a distinction between regular triple faces and Recurve (R) and Compound (C) 40cm triple faces. The 40cm triple face (both triangular and vertical) will differ in the size of the 10 ring: the 40cm-R has a 40mm 10 ring, the 40cm-C has a 20mm 10 ring and the combined triple face has the two 10-rings.

7.2.2.2. Scoring values and colour specifications:

Scoring values	Colors	Pantone code
10	Yellow	107U
9	Yellow	107U
8	Red	032U
7	Red	032U
6	Light Blue	306U
5	Light Blue	306U
4	Black	Process Black
3	Black	Process Black
2	White	-
1	White	-

7.2.2.3. Tolerance of measurement:

Outdoors the target face shall be measured using the diameter of each separate circle enclosing each of the scoring zones. The tolerance of each diameter shall not exceed ± 1 mm for the scoring zones 10, 9, 8 and hit zone and ± 2 mm for the other scoring zones measured through the centre.

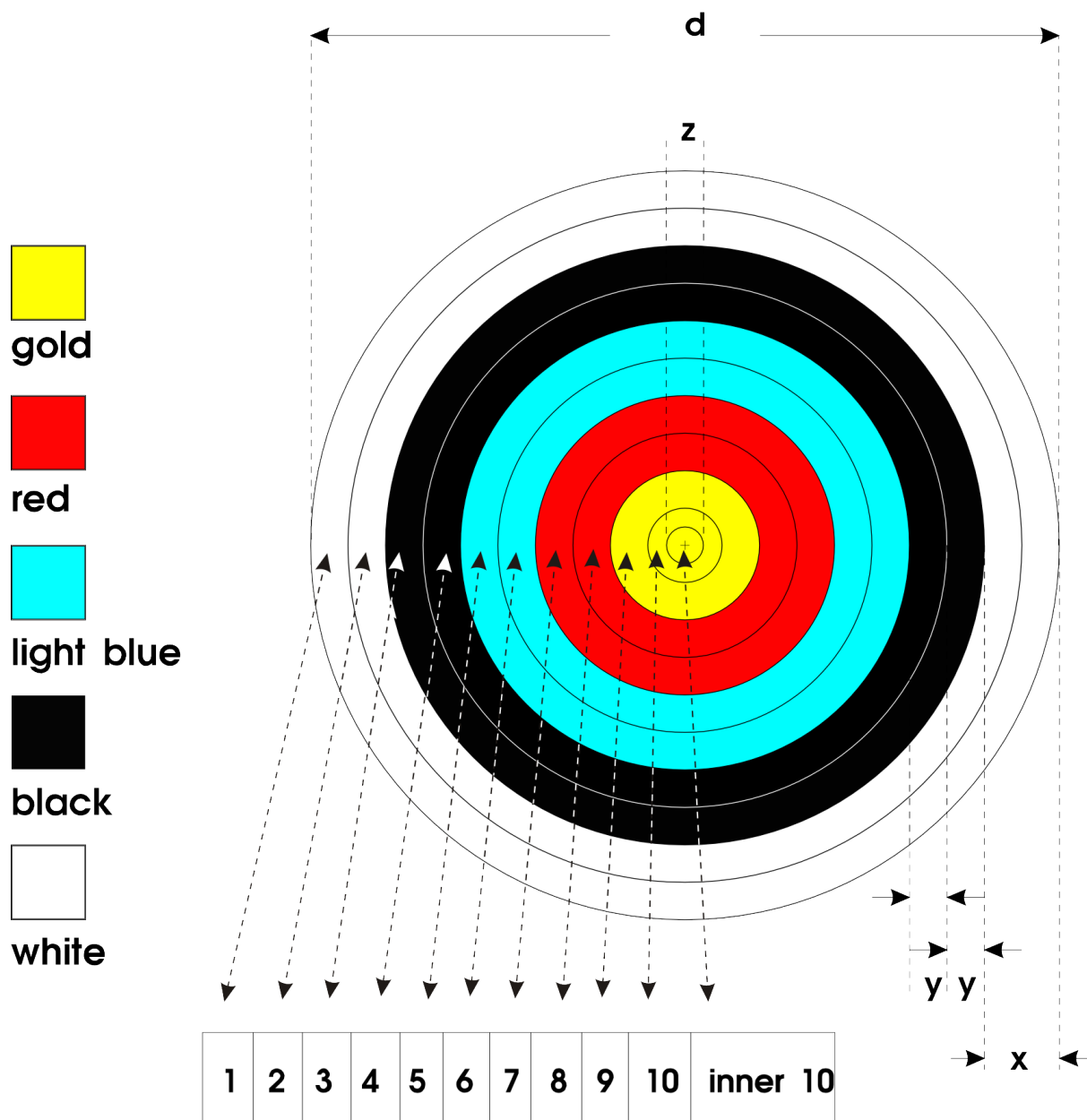
Zone	Diameters in cm		Tolerance in mm \pm
	122	80	
Inner 10	6.1	4	1
10	12.2	8	1
9	24.4	16	1
8	36.6	24	1
7	48.8	32	2
6	61	40	2
5	73.2	48	2
4	85.4	56	2
3	97.6	64	2
2	109.8	72	2
1	122	80	2

Indoors the target face shall be measured using the diameter of each separate circle enclosing each of the 10 scoring zones. The tolerance of each diameter shall not exceed ± 1 mm for the scoring zones 10, 9 and 8 and ± 2 mm for the other scoring zones when measured through the centre.

Zone	Diameters in cm		Tolerance in mm \pm
	60	40	
Compound 10	3	2	1
Recurve 10	6	4	1
9	12	8	1
8	18	12	1
7	24	16	2
6	30	20	2

5	36	24	2
4	42	28	2
3	48	32	2
2	54	36	2
1	60	40	2

For the Compound Division only the inner 10-ring shall score 10, the rest of the yellow scoring zone shall score 9, provided that the Compound W1 Division, with athletes using recurve sights, will use the recurve 4cm 10-ring Target face, see drawing (see image 4: 1-10 Scoring Zones Target Face).



d	x	y	z
diameter of face	color zone	scoring zone	diameter of inner 10
122 cm	12.2 cm	6.1 cm	6.1 cm
80 cm	8 cm	4 cm	4 cm
60 cm	6 cm	3 cm	3 cm
40 cm	4 cm	2 cm	2 cm

Image 4: 1-10 Scoring Zones Target Face

7.2.2.4. Academic Round Hit/Miss target face:

7.2.2.4.1. The Academic Round Target face is a Hit/Miss target consisting of two zones: a hit zone and a miss zone.

7.2.2.4.2. The hit-zone (spot) of the target face for 70m has a diameter of 24.4cm.

7.2.2.4.3. The colour for the hit-zone (spot) is yellow (Pantone 107U).

7.2.2.4.4. The colour for the miss-zone is red (Pantone 032U).

7.2.2.5. Material of target faces:

Target faces may be made of paper or any other suitable material. All faces used for the same competition category shall be uniform in colour and of the same material.

7.2.3. Size of target face at different distances and target set-up outdoors.

The 122cm target face shall be used for the distances of 90, 70, 60m (and 50m for Cadet and Master Women). The 80cm target face shall be used for distances of 50, 40, 30m, except for the Standard Bow Round.

7.2.3.1. *The centre of the target face shall be 130cm above the ground as measured from ground level. The tolerance of measurement shall not exceed ± 5 cm.*

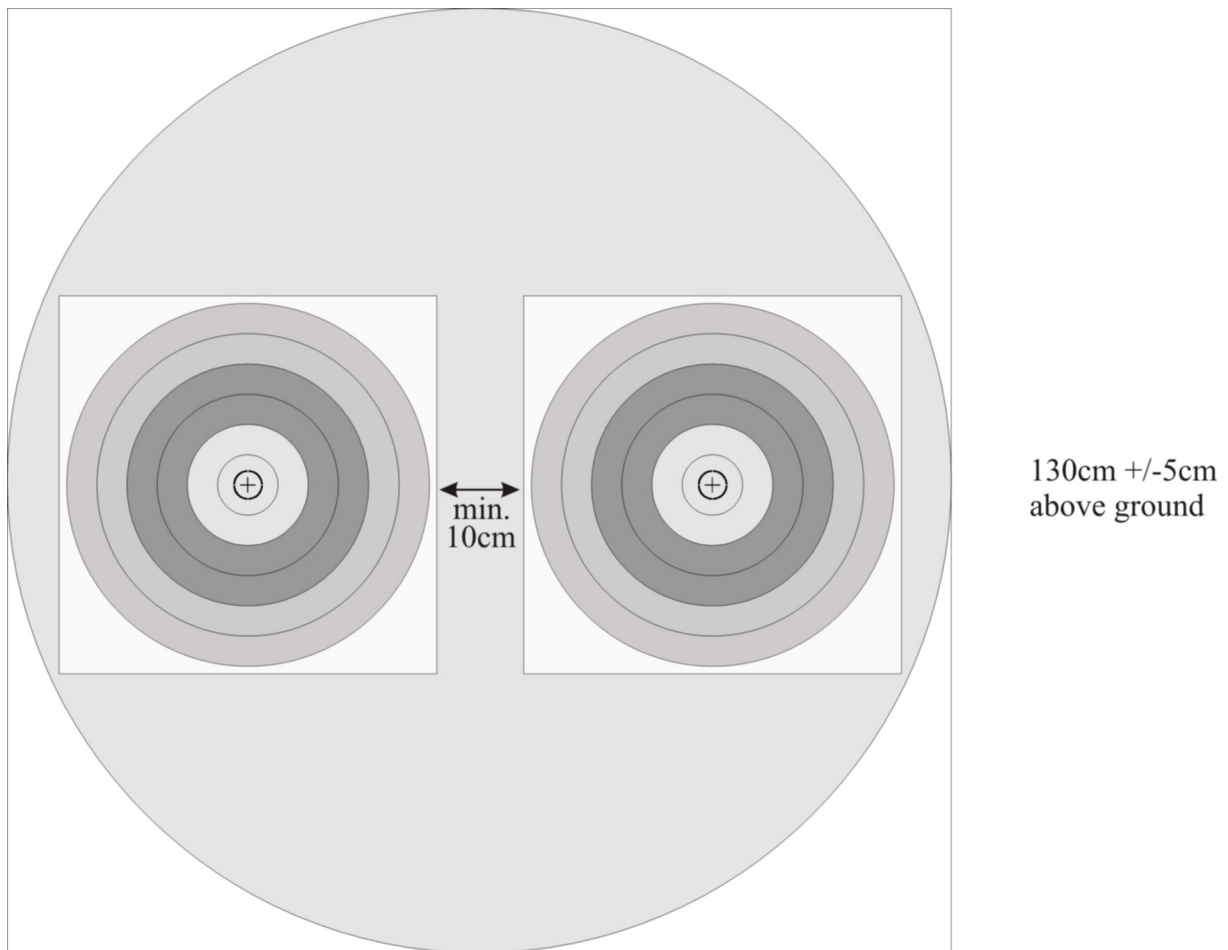
7.2.3.2. *When using a triangular multiple-centre face (5 or 6-ring) set-up at 50m, 40m and 30m or the four-centre face setup the maximum distance above the ground of the centre of the upper face(s) shall be 172cm and the minimum distance above the ground of the centre of the lower faces shall be 90cm. The minimum distance between the scoring zones of two faces at the same height shall be 2cm.*

7.2.3.3. *When using a three centre face (5-ring) horizontal set-up at 30m, the centres of the faces shall be at 130cm (± 5 cm) above the ground. The minimum distance between the scoring zones shall be 2cm.*

7.2.3.4. *Setup of target faces for Compound Match Play:*

80cm 6-ring target faces shall be placed on the target as follows:

- *For the Eliminations Round (no alternating shooting) one face shall be placed horizontally on the left side of the centre (three arrows to be shot by the left athlete) and one on the right side of the centre (three arrows to be shot by the right athlete);*
- *For the Finals (alternating shooting) one face shall be placed on each target;*
- *For the Team and Mixed Team, each team shall have one target with two faces set up horizontally on the target, one face for three arrows (Team) or two arrows (Mixed Team) (see (see image 5: 2 x 5-10 Scoring Zones Target Face)). Athletes on a team may elect which face to shoot provided that each face has either three arrows (Team) or two arrows (Mixed Team).*
- *For the Team and Mixed Team the shoot-off will be shot on a single target face.*



2 x 80cm 6-ring faces with the scoring zones 5-10

Image 5: 2 x 5-10 Scoring Zones Target Face

7.2.4. Size of target face at different distances and target set-up indoors. For indoor shooting at 25m, the target face of 60cm shall be used. For the distance of 18m, the target face of 40cm shall be used.

7.2.4.1. Rounds and faces.

For the Indoor Match Round, the triple 40cm faces shall be used. In the Elimination and Finals Rounds the faces shall be set in pairs on each target butt. Vertical triple faces shall be mandatory for the World Archery Indoor Championship. The use of single or triple faces in all other competitions is the choice of the organisers, who can allow the athletes in the same class and division to shoot on a different type of face.

7.2.4.1.1. The set-up for a single face or a pair of faces.

The centre of the single face or the centre of the middle face of the vertical triple face shall be 130cm above the floor. When using triangular triple faces the height refers to the two lower centres of the triple faces. When using a pair of faces, the minimum distance between scoring areas of the two faces shall be 10cm. For 60cm faces the distance shall be a minimum of 2cm between the two scoring zones.

7.2.4.1.2. Set-up for four 40cm single or triple triangular faces.

In case of four 40cm faces, the maximum height of the centres of the upper faces shall be 162cm above the floor. The centres of the lower faces shall be a minimum of 100cm above the floor. In the case of triple triangular 40cm faces, the maximum height refers to the highest centres of the triple faces and the minimum height refers to the lowest centres of the triple faces. The minimum distance between the scoring zones of two faces at the same height shall be 10cm. Each face shall be placed in its quarter of the target butt (see image 6: 4 x 4 40cm Target Face for Indoor) and (see image 7: 4 x 4 Triple Triangular Face for Indoor)).

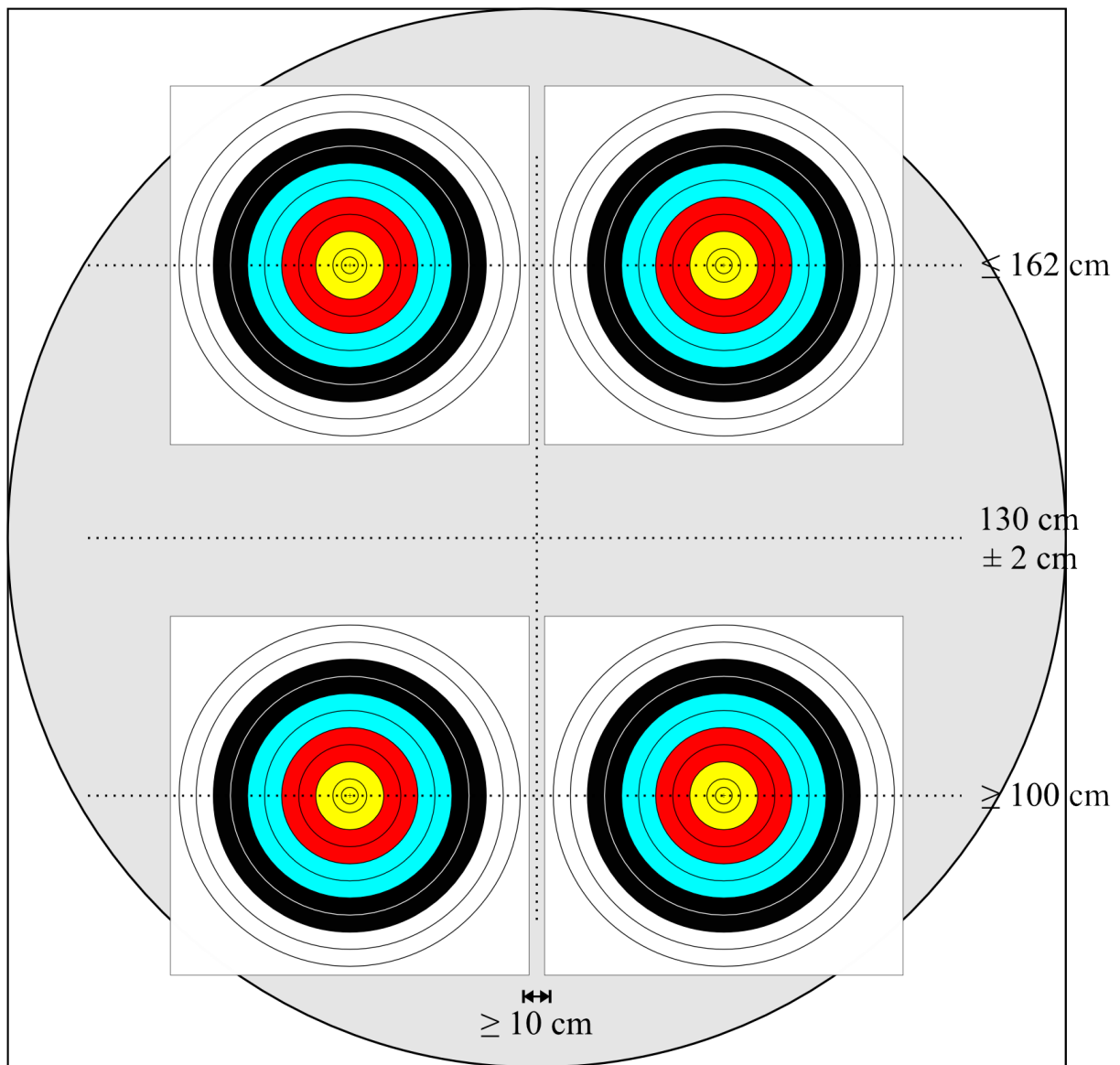


Image 6: 4 x 4 40cm Target Face for Indoor

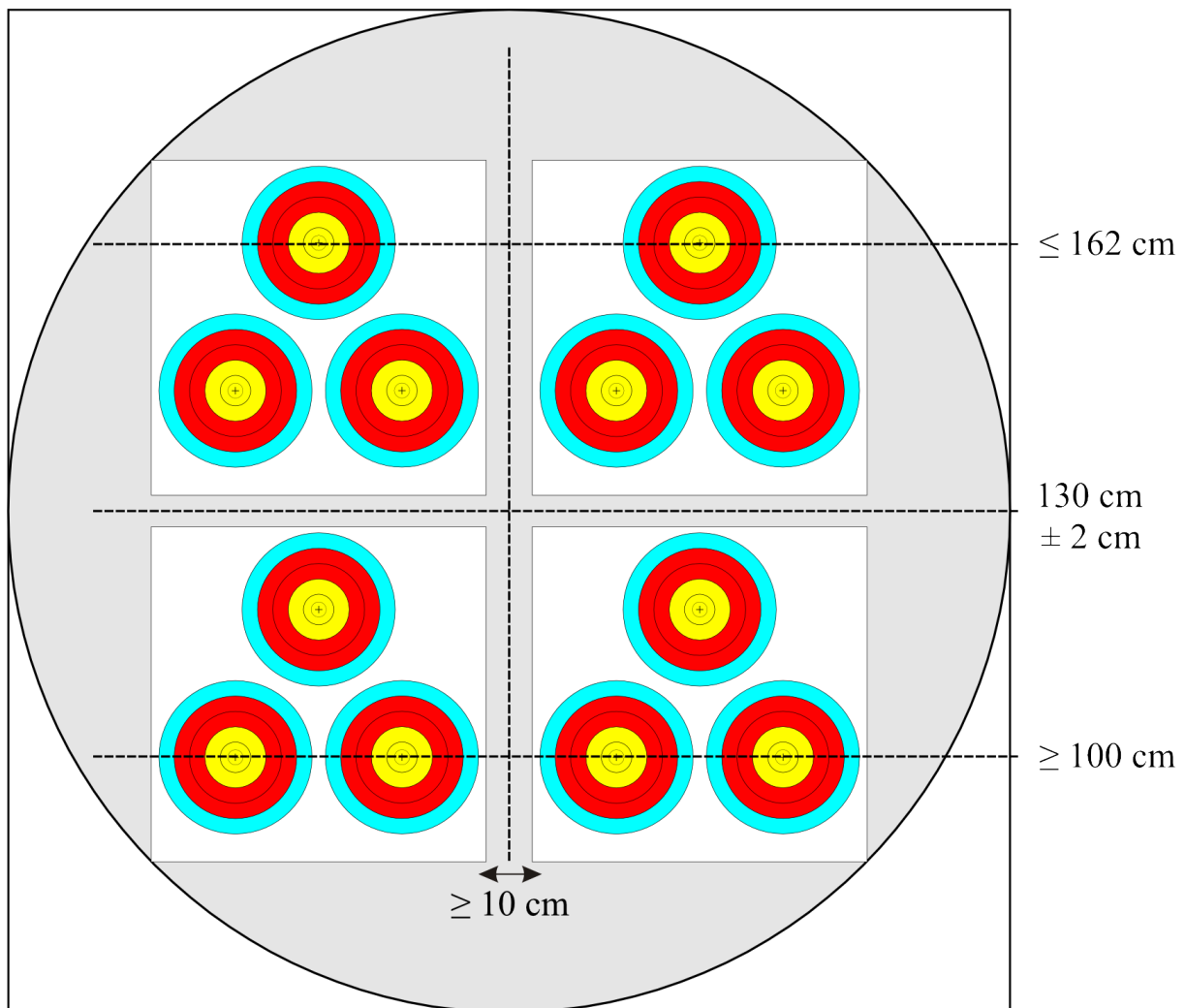


Image 7: 4 x 4 Triple Triangular Face for Indoor

7.2.4.1.3. Set-up for four and two 40cm vertical triple faces.

When using four vertical triple 40cm faces, the centres of the middle faces shall be 130cm above the floor. With four vertical triple faces, there shall be a space of at least 10cm between the scoring zones of the second and third column, and a maximum distance of 2cm between the scoring zones of columns 1 and 2, and columns 3 and 4.

With two vertical triple faces (individual and team event), there shall be a space of minimum 25cm between the scoring areas of each column.

With one vertical triple face set-up horizontally (team shoot-off), the centre of the vertical triple face shall be 130cm above the floor.

7.2.4.1.4. The tolerance of measurement shall not exceed $\pm 2\text{cm}$ for the positioning of the target faces.

7.2.5. Time Control Equipment.

Acoustic and visual.

The Director of Shooting (see [Article 10.1.1.](#)) shall control:

- The start and end of each time limit with a whistle or another audible indicator;
- Each time limit with digital clocks, lights, flags, plates or any other simple visual indicator in addition to the audible signal referred to above.

7.2.5.1. In the event of a small discrepancy between the acoustic and the visual time control equipment, the acoustic time control equipment shall take precedence.

7.2.5.2. The following equipment can be used:

- **Lights;**
 - The colours of the lights shall be red, yellow and green in that order with the red at the top. The lights shall be synchronized and at no time shall two different colours be on at the same time. In Championships, the lights shall be linked with the acoustic equipment so that the first sound of the acoustic equipment is simultaneous with the light turning red and the digital clock reaching zero.
- **Digital Clocks;**
 - When timing is controlled by the use of digital clocks the figures on the clock shall be a minimum of 20cm in height and shall be able to be clearly read at a distance of 100m. They shall be able to be stopped and reset very quickly as and when required. The clock shall function on a countdown principle. All other requirements shall be the same as for lights.
 - When digital clocks are used, lights are not mandatory.

- *If both systems are used they must be synchronised. If there is a discrepancy the digital clock takes precedence.*
- *The visual signals are to be placed on both sides of the field and, if necessary, in a clear lane between target butts, at any distance shorter than 30m, so they are visible to all athletes, both left and right-handed, on the shooting line;*
- *Match play indicators;*
 - *When shooting the alternating match play there shall be separate green/red lights, countdown clocks, or other visual signals for each athlete to indicate whose turn it is to shoot.*
- *Emergency Equipment;*
 - *When the time limit is controlled by electrical equipment, plates, flags or other manual indicators shall be available in case the other equipment fails.*
 - *When the time limit is controlled manually by means of plates, these are a minimum of 120cm by 80cm in size. They shall be securely mounted to resist any wind and shall be easy to turn quickly to show either side. One side of each plate shall be green and the reverse side of each plate shall be yellow.*
- *Lights or digital clocks and emergency equipment are mandatory for International Events.*

7.2.6. Miscellaneous Equipment

The equipment outlined in the bylaws below is mandatory at International Events and is recommended for other important tournaments.

- 7.2.6.1. *Athletes' numbers shall be worn by each athlete.*
- 7.2.6.2. *A device to indicate the order of shooting if the athletes do not all shoot at the same time. The letters shall be large enough to be read by all athletes from their respective shooting positions.*
- 7.2.6.3. *A scoreboard for cumulative totals after each end, for at least the first five athletes of each category and the scores for the qualification cut.*
- 7.2.6.4. *In the Olympic, Compound and the Indoor Match Round a name plate carrying the athlete's number or name in the individual events, or the official acronym of the Team, shall be displayed in front of the shooting line.*
- 7.2.6.5. *In the Elimination Round a flip-score device to show three digits shall be displayed below each butt.*
- 7.2.6.6. *In the Finals Round, there shall be one remotely-operated scoreboard, one for each athlete (or team), with spaces for the scores of three individual arrows and the total score or sets for each match. There shall also be provision for the athlete's name and country, or the country in the team competition.*
- 7.2.6.7. *Blinds for use in the Finals Rounds may be placed near the butts. They shall be used by Judges, scorers, and athletes agents.*
- 7.2.6.8. *Outdoors wind flags, of any light material and easily visible colour (such as yellow) to serve as wind indicators, shall be placed above the centre of each butt. They shall be placed 40cm above the butt or the target number, whichever is higher. The flags shall measure not more than 30cm and not less than 25cm in any dimension.*
- 7.2.6.9. *Outdoors windsocks on both sides of the field and one in the middle when there is a split between the two sides. The windsocks are to be placed between 2.5 and 3.5m above the ground.*
- 7.2.6.10. *A raised platform with seating facilities for the Director of Shooting.*
- 7.2.6.11. *An audio system and wireless radios.*
- 7.2.6.12. *On shooting fields other than the Finals Field or Finals Area of the main field, a sufficient number of chairs or benches placed behind the waiting line for all athletes, Team Managers, coaches and other officials. The chairs for Judges, with some shelter from the weather, should be placed at appropriate places along the waiting line at the Qualification and Elimination Round fields.*
- 7.2.6.13. *An automatic scoring system may only be used in the Finals Rounds.*
- 7.2.6.14. *A small diameter television camera may be installed in the centre of the butt/target face other than when a shoot-off is occurring.*

Chapter 8

Field of Play setup - Field Archery

8.1. Course Layout

8.1.1. The field course shall be arranged so that the shooting positions and the targets can be reached without undue difficulty, hazard or waste of time. Field courses should be as condensed as possible.

8.1.1.1. The walking distance from the central (assembly) area to the furthest target should be no more than 1km or 15 minutes normal walking.

8.1.1.2. The course makers shall prepare safe paths for Judges, medical personnel and to allow for transportation of equipment round the course(s) while shooting is in progress.

8.1.1.3. The course(s) shall not be positioned higher than 1800m above sea level and the maximum difference between the highest and the lowest point in a course shall not be more than 100m.

8.1.1.4. The targets shall be laid out in such order as to allow maximum variety and best use of the terrain. In the Finals Round two butts shall be placed side by side at each target on which a 60cm or 80cm target face is placed.

8.1.1.5. At all targets, one shooting peg for each distance shall be placed in such a way as to allow at least two athletes to shoot at the same time from either side of the shooting peg.

8.1.1.6. All shooting pegs shall be marked with the distance when marked distances are to be shot. The shooting pegs shall have different colours, corresponding to each group of categories as follows:

- Blue for the Barebow, Cadet Recurve and Cadet Compound;
- Red for the Recurve and Compound;
- Yellow for the Cadet Barebow.

8.1.1.7. The tolerances are:

- For distances 15m or less $\pm 25\text{cm}$;
- For distances between 16-60m $\pm 1\text{m}$.

However, the distances given in [8.1.1.10. Unit for Marked Course](#) may be adjusted by $\pm 2\text{m}$. The correct distance shall be marked on the shooting peg.

The distance should be measured in the air approximately 1.5-2m above the ground. All kinds of measuring equipment can be used as long as it satisfies the tolerances.

8.1.1.8. The butts shall provide a margin to allow all scoring arrows to be in the butt. At no point may any target face be less than 15cm from the ground. In all instances, regardless of the terrain, the buttress should be placed perpendicular to the athlete's line of sight from the shooting peg in order to present the target face's full picture.

8.1.1.9. Unit for Unmarked Course

Number of targets 12 targets in a unit Min- Max #	Diameter of Field Faces in cm	Yellow Peg Barebow Cadet Longbow*	Blue Peg Recurve Cadet Compound Cadet Barebow Instinctive Bow (in metres)	Red Peg Recurve and Compound (in metres)
2-4	20	5 to 10	5 to 10	10 to 15
2-4	40	10 to 15	10 to 20	15 to 25
2-4	60	15 to 25	15 to 30	20 to 35
2-4	80	20 to 35	30 to 45	35 to 55

8.1.1.9.1. The distances of the targets faces of the same size should vary between long, medium and shot distances and it is recommended to use different sizes of buttresses.

8.1.1.10. Unit for Marked Course

Number of targets 12 targets in a unit Min- Max #	Diameter of Field Faces in cm	Yellow Peg Barebow Cadet Longbow*	Blue Peg Recurve Cadet Compound Cadet Barebow Instinctive Bow (in metres)	Red Peg Recurve and Compound (in metres)
3	20	5, 10, 15	5, 10, 15	10, 15, 20
3	40	10, 15, 20	15, 20, 25	20, 25, 30
3	60	20, 25, 30	30, 35, 40	35, 40, 45
3	80	30, 35, 40	40, 45, 50	50, 55, 60

8.1.1.10.1. The set distances may be adjusted with $\pm 2\text{m}$ if needed, however the new measured distance shall be

displayed on the peg. On marked rounds a double 60cm target face setup is recommended.

8.1.1.11. Elimination Rounds

The Elimination Round consists of 6 marked targets per match. Each set of 6 targets will have a mix of all face sizes (20/40/60/80) and all distances will be pegged (short/medium/long). Organisers will lay the course with consideration to the venue, the terrain and the lay of the land.

8.1.1.12. Finals Rounds (and Team quarter-finals)

The semi final and final consist of four marked targets in each match with marked distances. During the finals the targets can be placed at the organiser wishes taking into consideration the terrain, lay of the ground and venue. All target faces (20/40/60/80) must be used and there should be a mix of short, medium and long distances.

8.1.1.13. All targets shall be numbered in succession from 1 to 24. The numbers shall be clearly visible to archers and clearly identify the target number. They shall be placed 5-10m before reaching the shooting pegs for that target.

8.1.1.14. The target numbers shall also function as the waiting area for the groups waiting for their turn to shoot. The members of the group shooting that target can be forward of the number board to assist with shading and spotting as necessary. From the waiting area it should be possible to see if anybody is standing at the peg.

8.1.1.15. Clearly visible direction signs indicating the route from target to target shall be placed at adequate intervals to ensure safe and easy movement along the course.

8.1.1.16. Suitable barriers shall be placed around the course, wherever necessary, to keep spectators at a safe distance while still giving them the best possible view of the competition. Only those persons having the proper accreditation shall be allowed on the course inside of the barriers.

8.1.1.17. The assembly area should contain:

- A communication system allowing contact with the chairperson of the Tournament Judge Commission and the organisers;
- Adequate shelter for team officials;
- Separate shelter for the Jury of Appeal and the chairperson of the Judge Commission;
- Guarded shelter for the athletes gear and spare equipment;
- Practice targets on the competition days near the assembly point(s) for the athletes;
- Refreshment facilities;
- Toilets.

8.1.1.18. The course(s) shall be completed and ready for inspection no later than 16 hours before the shooting starts. At World Championships they shall be ready along with details of any modifications to those courses for use as Elimination or Final Rounds, no later than the morning of two days before the shooting starts.

8.2. Venue Equipment and Scoring Zones

8.2.1. The Field Face.

There are four field target faces :

- The 80cm face;
- The 60cm face;
- The 40cm face;
- The 20cm face.

Only those faces produced by a manufacturer licensed by World Archery shall be used at World Archery competitions.

8.2.1.1. Description.

The face consists of a yellow centre spot and four equal scoring zones.

The yellow zone is divided into two scoring zones.

The inner ring is scored as 6 and the outer yellow zone as 5.

The two zones shall be divided by a black line of maximum 1mm in width. The rest of the face shall be black. The four scoring zones shall be divided by white lines of maximum 1mm in width. There are no dividing lines between yellow and black.

Any dividing lines shall be in the higher scoring zones. The centre of the target face shall be indicated by a small "+" (cross). The lines of the cross shall not exceed 1mm in width and 4mm in length.

Drawing of the Field face see (see image 8: 1-6 Scoring Zones Target Face for Field).

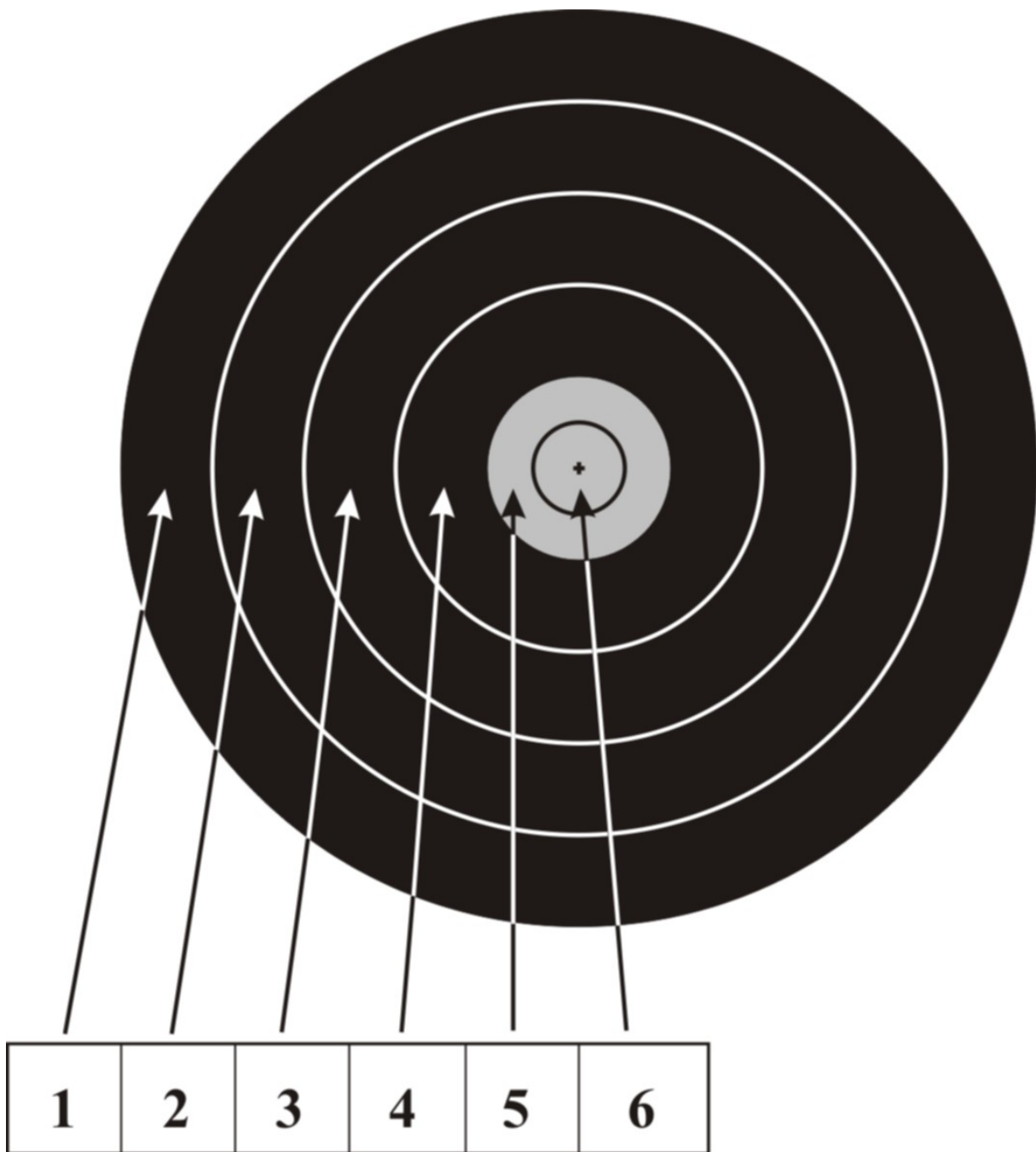


Image 8: 1-6 Scoring Zones Target Face for Field

8.2.1.2. *Scoring Values, Colour Specifications and Tolerances.*

Colour	Score	Diameter of faces and of scoring zones in cm				Tolerance \pm (mm)
		20	40	60	80	
Yellow	6	2	4	6	8	1
Yellow	5	4	8	12	16	1
Black	4	8	16	24	32	1
Black	3	12	24	36	48	2
Black	2	16	32	48	64	2
Black	1	20	40	60	80	2

8.2.1.3. *Target set-up.*

- The 20cm and 40cm faces may be placed at any angle provided is still obvious which face or column the athlete is to shoot;
- 20cm faces shall be 12 per butt in four columns of three;
- 40cm faces shall be placed four per butt;
- 60cm faces: On marked rounds a double 60cm target face setup is recommended and their centres should be positioned so that both archers have an equal shot.

Chapter 9

Field of Play setup - 3D Archery

9.1. Course layout

9.1.1. The courses shall be arranged in such a way that the shooting positions and the targets can be reached without undue difficulty, hazard or waste of time. 3D courses shall be as condensed as possible.

9.1.1.1. *The walking distance from the central (assembly) area to the furthest target shall be no more than 1 kilometer or 15 minutes normal walking.*

9.1.1.2. *The course makers shall prepare safe paths for Judges, medical personnel and to allow for transportation of equipment through the course(s) while shooting is in progress.*

9.1.1.3. *The course(s) shall not be positioned higher than 1800m above sea level and the maximum difference between the highest and the lowest point in a course shall not be more than 100m.*

9.1.1.4. *The targets shall be laid out in such order as to take into consideration that there are unknown distances only, to allow maximum variety and best use of the terrain, with a fair balance between distance and size of the scoring zone.*

9.1.1.5. *For small targets, the organisers shall place two or four targets next to each other.*

9.1.1.6. *The targets shall be placed in a way as to present the full target to all athletes.*

9.1.1.7. *Shooting distances - unknown distances only:*

9.1.1.7.1. *Red pegs :*

- *Men and Women Compound Bow;*

Maximum distance: 45m.

Minimum distance: 5m

9.1.1.7.2. *Blue pegs:*

- *Men and Women Barebow;*
- *Men and Women Longbow;*
- *Men and Women Instinctive Bow;*

Maximum distance: 30m.

Minimum distance: 5m

9.1.1.7.3. *The 3D targets come in a range of sizes. The course must incorporate a range of target sizes placed at distances appropriate to their size.*

9.1.1.8. *All targets shall be numbered in succession from 1 to 24. The numbers shall be clearly visible to archers and clearly identify the target number. They shall be placed 5-10m before reaching the shooting pegs for that target.*

9.1.1.8.1. *The target numbers shall also function as the waiting area for the groups waiting for their turn to shoot. The members of the group shooting that target can be forward of the number board to assist with shading and spotting as necessary. From the waiting area it should be possible to see if anybody is standing at the peg.*

9.1.1.9. *When the shooting peg is free, the group can go forward to the post with the picture of the target – as the secondary waiting area until the target is free.*

9.1.1.10. *Clearly visible direction signs indicating the route from target to target shall be placed at adequate intervals to ensure safe and easy movement along the course.*

9.1.1.11. *Suitable barriers shall be placed around the course, wherever necessary, to keep spectators at a safe distance while still giving them the best possible view of the competition. Only those persons having the proper accreditation shall be allowed on the course inside of the barriers.*

9.1.1.12. *The assembly area shall contain:*

- *A communication device (system) allowing contact between the Chairman of the Tournament Judge Commission, the Judge Commission, the Technical Delegate and the organisers;*
- *Adequate shelter for team officials;*
- *Separate shelter for the Jury of Appeal, the Chairman of the Tournament Judge Commission and the Technical Delegate;*
- *Guarded shelter for the athletes gear and spare equipment;*
- *On the days of the tournament, some warm-up targets shall be set up near the Assembly Point(s) for the athletes;*
- *The practice field can be used as a warm-up field;*
- *Refreshment facilities;*
- *Toilets.*

9.1.1.13. *The 3D course(s) shall be completed and ready for inspection no later than 16 hours before the shooting starts. At Championships they shall be ready no later than the morning of two days before the shooting starts, except for modified courses.*

9.2. Venue Equipment and Scoring Zones

9.2.1. The 3D Targets.

The courses are unmarked only. 3D Targets are used. The targets are three dimensional using a wide variety of forms of varying sizes. The number of targets used, their respective size and the size of the scoring zones are not standardised. The dividing lines of the scoring zones are within the higher scoring area.

The colour of the targets varies according to the target chosen.

9.2.2. Scoring zones.

The target is divided into four scoring zones (11, 10, 8 and 5).

An arrow touching the dividing line between two scoring zones or the border line of the scoring area shall score the higher value.

- *11 points the small circle in the centre of the 10-ring (about 25% of the 10-ring zone);*
- *10 points the larger circle within the vital area;*
- *Eight points vital area outside the 10 point circle;*
- *Five points remaining body colour zone;*
- *A hit in the horn or the hoof, or other defined non scoring area, not touching the body colour zone, a glance-off or any other miss counts as a miss (M). A hit in the tail or wings of a bird target is a scoring arrow. An arrow passing through the horn or hoof or other defined non scoring area, but touching a scoring zone, will score the value where it touches the scoring zone. An arrow passing through the horn or hoof or other defined non scoring area, but not touching a scoring zone will score a miss (M).*

9.2.3. Target pictures.

About 5-10m from the shooting peg, a post is placed showing the target picture of that target including the lines and the position of the respective scoring zones.

Chapter 10

Shooting Control and Safety in Target Archery

10.1. A Director of Shooting shall be appointed.

10.1.1. Whenever possible this shall be a Judge. He shall not participate in the shooting.

10.1.2. Assistants may be appointed as necessary at the discretion of the organisers to assist the Director of Shooting in the execution of all the duties.

10.2. The Director of Shooting shall enforce any reasonable safety measures he considers necessary. The duties include:

10.2.1. Controlling the shooting, regulating the timing of ends, and the order in which the athletes shall occupy the shooting line.

10.2.2. Exercising control over the use of the audio equipment, the activities of photographers, and spectators so that athletes are not disturbed.

10.2.3. Ensuring that spectators remain behind the barriers enclosing the venue.

10.2.4. In the case of an emergency giving a series of not less than five sound signals for all shooting to cease. If shooting is suspended during an end for any reason, one sound signal shall be given for shooting to continue.

10.2.5. The Director of Shooting, in consultation with the Judges, has authority to extend the time limit in exceptional circumstances. Any such special ruling introduced shall be announced to the athletes before having effect. In such cases, the final results list shall include the special ruling and the reasons for it. When visual time controls are in use, the 30 seconds warning remains unchanged.

10.2.6. World Archery trained and appointed cameramen and photographers shall work within the spectator barriers described in [Article 7.1.1.10.](#) Their position shall be determined by the Technical Delegate and the safety measures are under the responsibility of the Technical Delegate. They shall have a special World Archery uniform indicating that they have this right.

Appendix 1

World Ranking Tournaments

Minimum Standard Criteria

- 1.1. Access for all athletes and their sports equipment into the country.
- 1.2. Minimum of two World Archery Judges or CJ appointed.
- 1.3. Technical Delegate inspection and review.
- 1.4. Tournament endorsed and guaranteed by the respective Continental Association.
- 1.5. The organisers have to provide for each archer, the following information in order to ensure there is no duplicate information on archers in the database:
 - ID number;
 - Name (Family name, First name);
 - Category;
 - Date of birth (DD/MM/YYYY);
 - Member Association acronym.
- 1.6. The results shall be live (through World Archery Website or other website in agreement with World Archery. Live being as soon as the results are entered in an electronic system) from the Qualification Round onwards and include each individual arrow value in the World Archery required format (Olympic Data Feed or World Archery result system) and have been supervised by an official (results verifier or chairman of judges) at the tournament. The results shall be sent to the World Archery Office no later than 2 days after the tournament in electronic format.
- 1.7. For the Finals round scoring will be done by an automated scoring system approved (Falco Eye or similar) by World Archery. The use of this is mandatory for all events that are Olympic Qualifiers at Multisport Games as well as Youth Olympic Games and Paralympics.

Submission of World Ranking Tournaments

- 2.1. Member Associations shall apply for World Ranking Tournaments via their respective Continental Association on the appropriate form. No other form of application shall be accepted. Up to six tournaments per Continental Association can be hosted in a year.
- 2.2. The Continental Association shall then submit the tournament to the World Archery Office at least six months prior to the date of the World Ranking Tournament which shall then be reviewed by the World Ranking Co-ordinator.
- 2.3. The Executive Committee shall finalise the calendar.

World Ranking Status

- 3.1. Automatic World Ranking status shall apply to Olympic Games and World Championships and World Cup stages.
- 3.2. For tournaments which are not automatically recognised, it is recommended that the chairperson of the Tournament Judge Commission is not from the host Member Association. The remainder of the Tournament Judge Commission can be National, Continental or World Archery Judges from the applying Member Association. Appointments from outside the Member Association shall be arranged by the Continental Association in liaison with the Judges Committee.
- 3.3. It is recommended that a Technical Delegate be appointed.
The costs for the preliminary and subsequent visits by the Technical Delegate shall be paid by the Continental Association or, if the Continental Association refuses, the organisers. In either case, no costs can be charged to World Archery.
- 3.4. It is recommended that the programme used for the results management be the official World Archery results system. If another system is used, it shall comply with World Archery and Olympic Results and Information Services (O.R.I.S.) standards.

Appendix 2

Olympic Games special requirements

Dress Regulations

See [20. Chapter 20-Dress Regulations in Book 3.](#)

Field of Play

See [3.20. Field of Play.](#)

Appendix 3

Match Play Charts

Match Play Chart 1A (104 athletes, byes are permitted)

(see image 9: Match Play Chart 1A (104 athletes, byes are permitted))

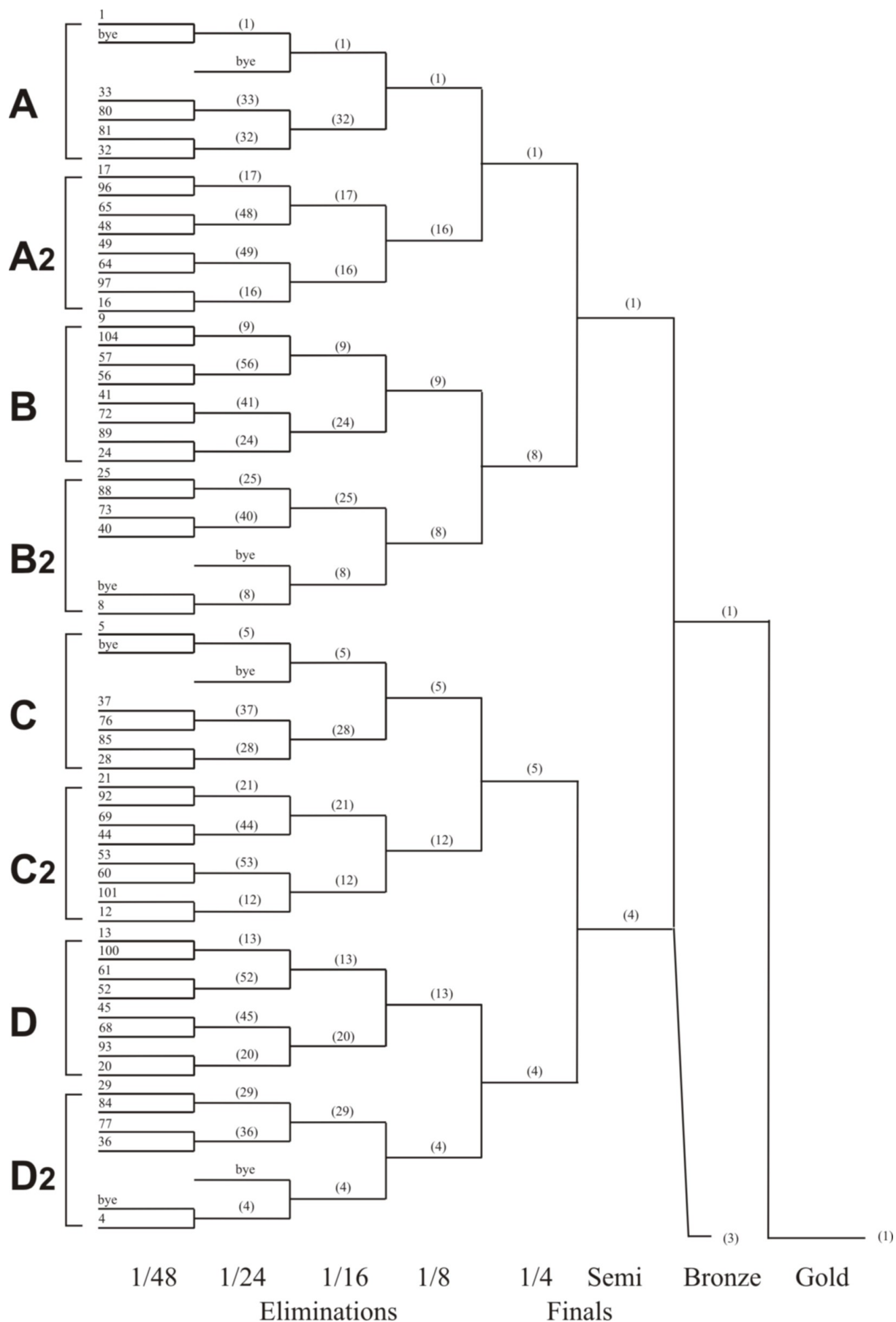


Image 9: Match Play Chart 1A (104 athletes, byes are permitted)

Match Play Chart 1B (104 athletes, byes are permitted)

(see image 10: Match Play Chart 1B (104 athletes, byes are permitted))

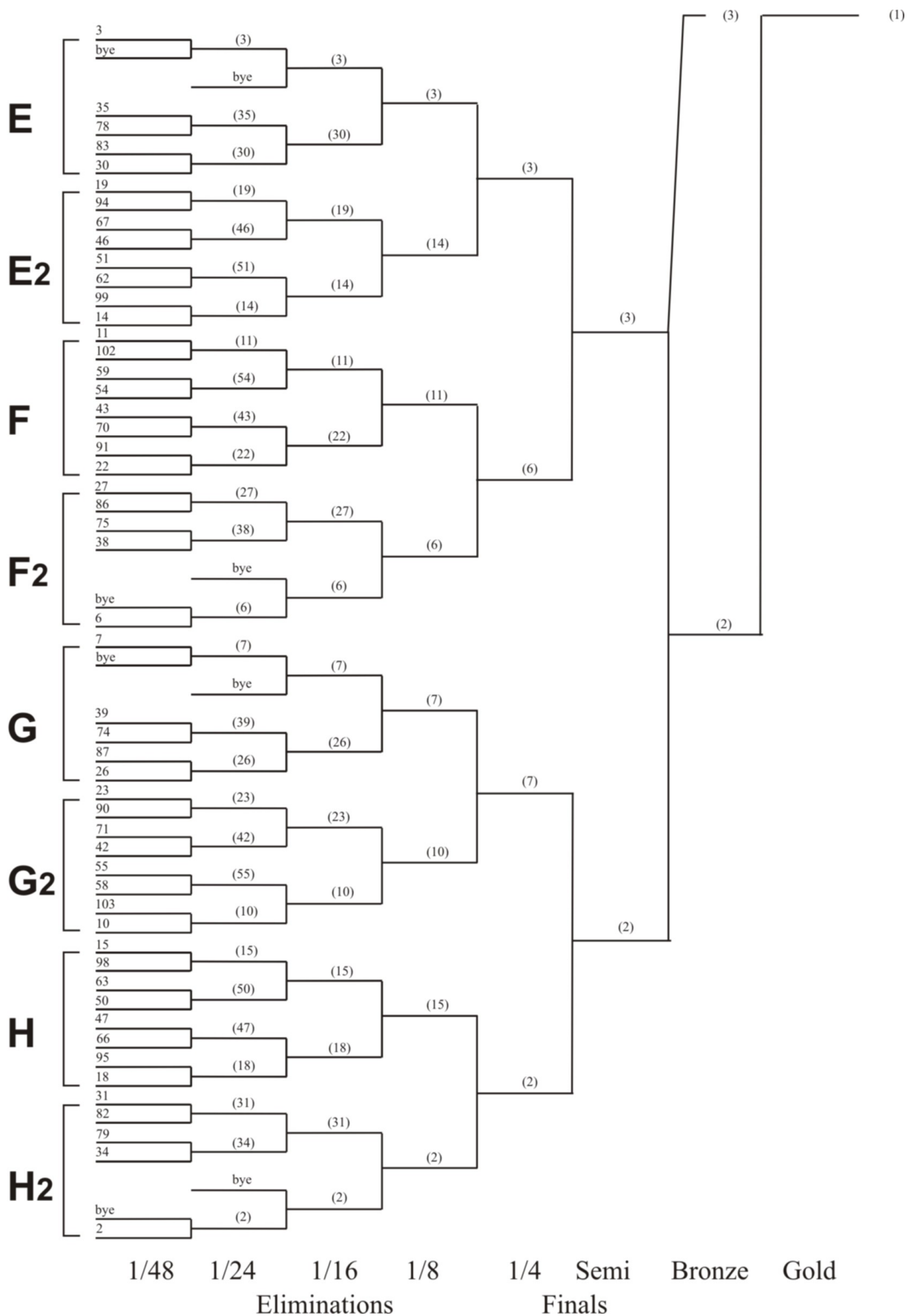


Image 10: Match Play Chart 1B (104 athletes, byes are permitted)

Match Play Chart 2 (64 athletes, byes are permitted)

(see image 11: Match Play Chart 2 (64 athletes, byes are permitted))

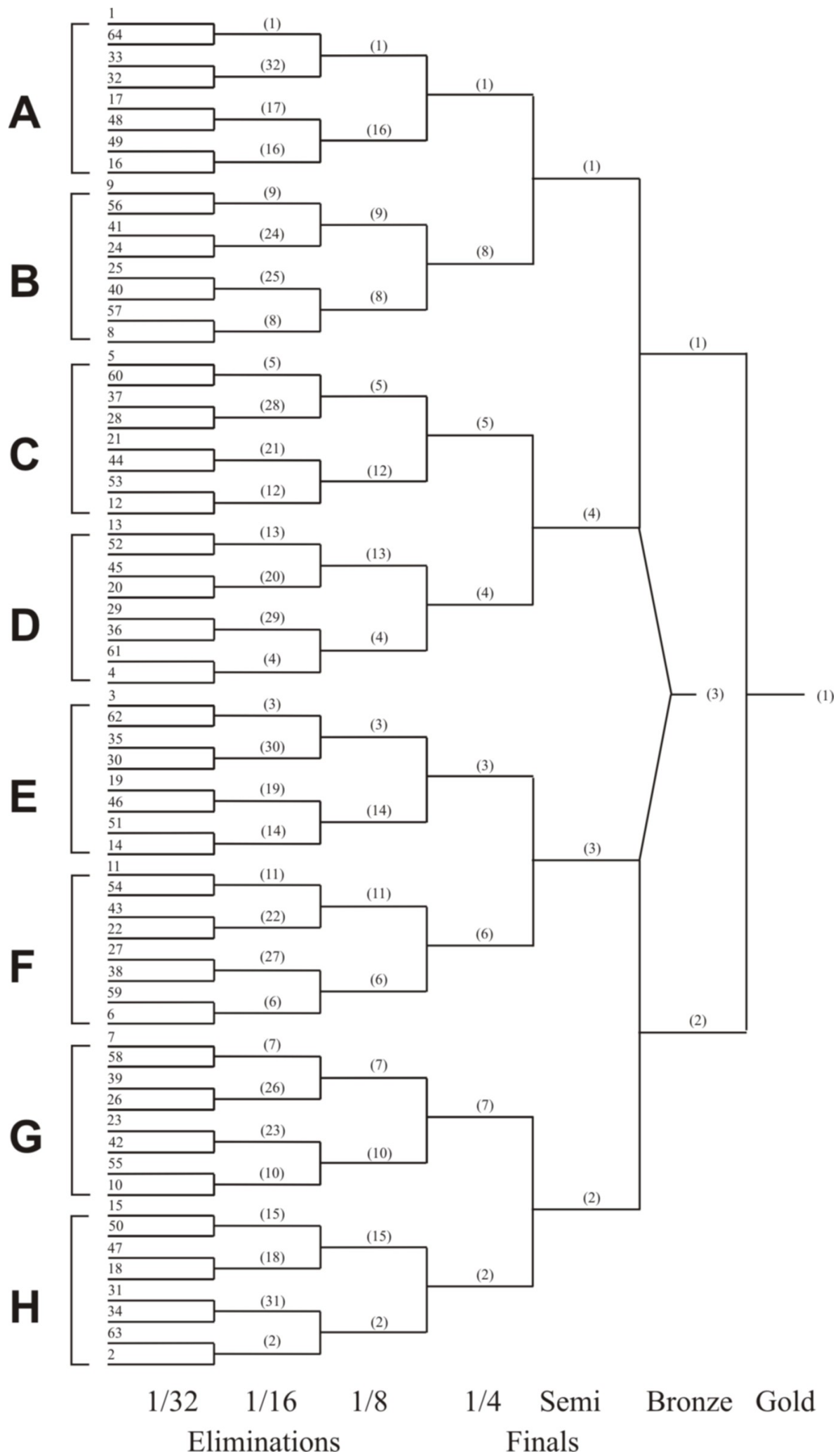


Image 11: Match Play Chart 2 (64 athletes, byes are permitted)

Match Play Chart 3 (32 athletes, byes are permitted)

(see image 12: Match Play Chart 3 (32 athletes, byes are permitted))

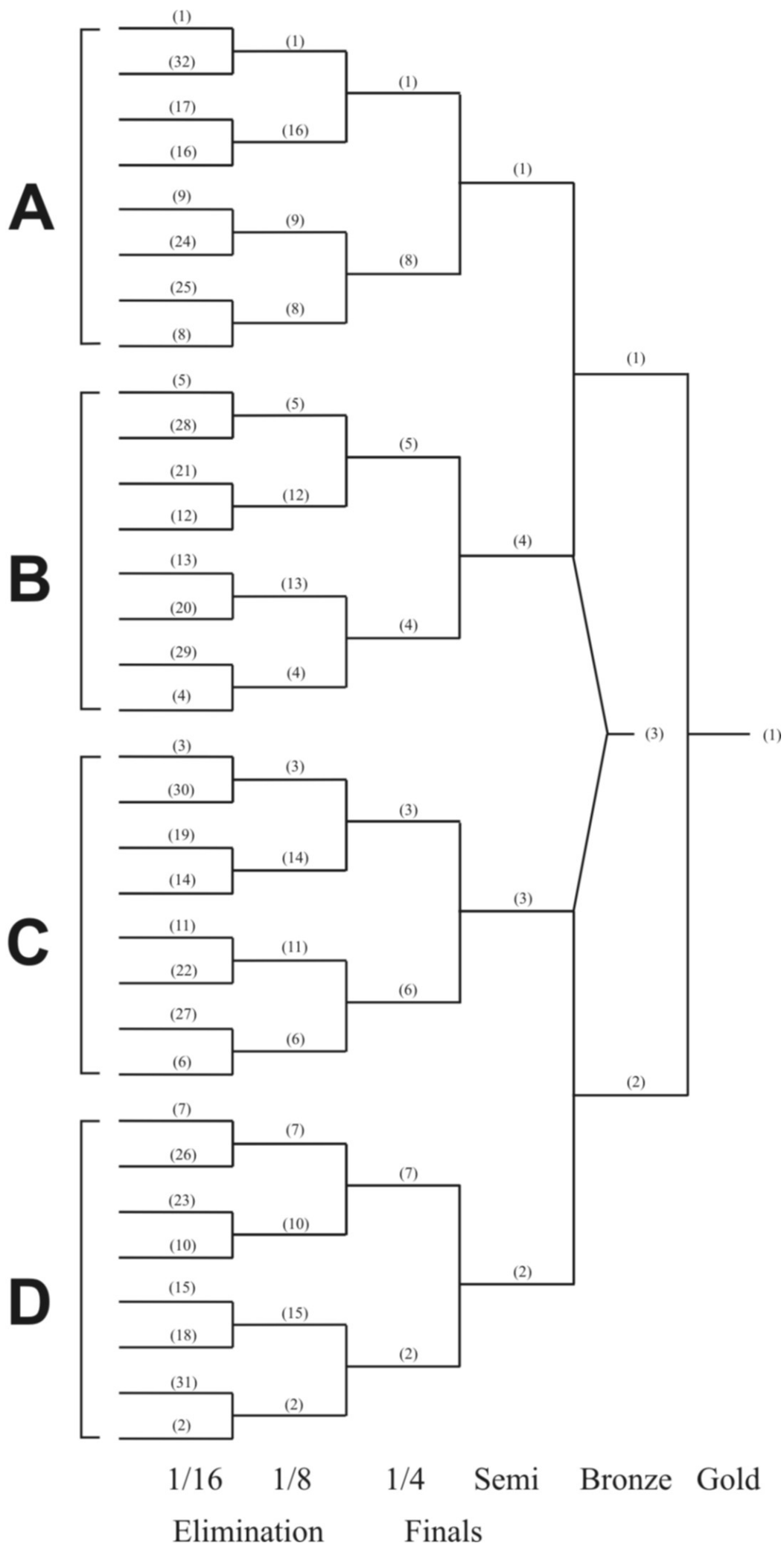
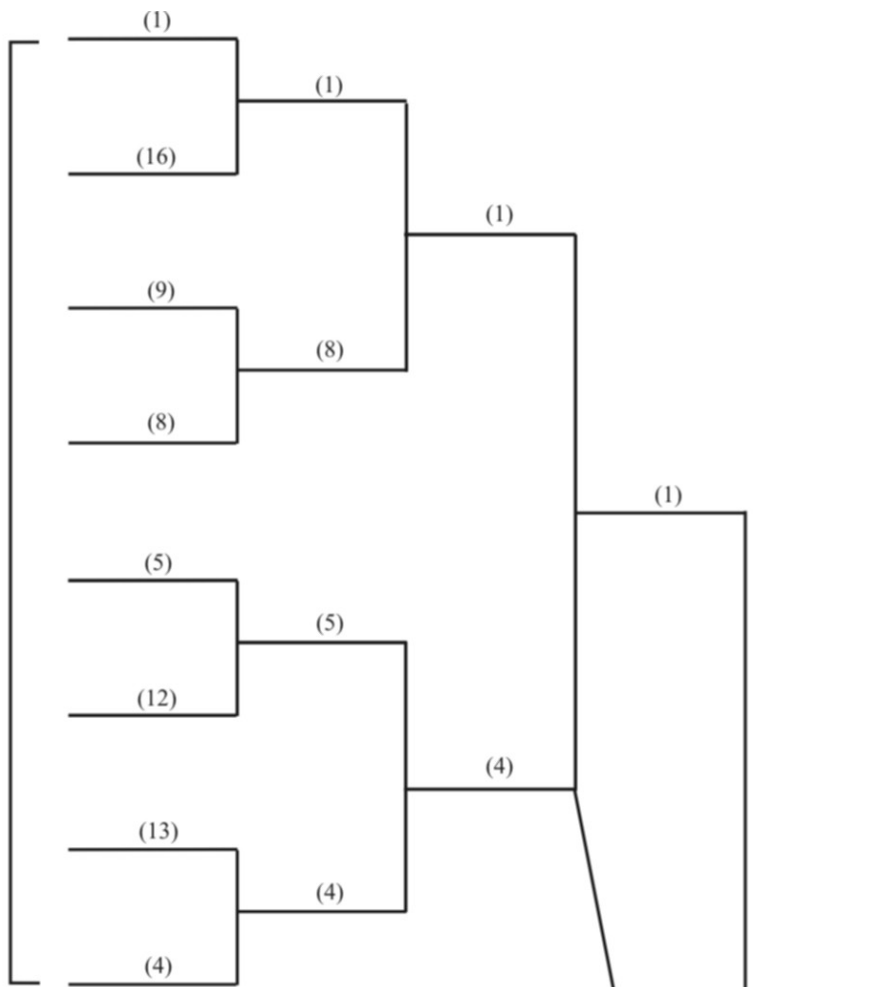


Image 12: Match Play Chart 3 (32 athletes, byes are permitted)

Match Play Chart 4 (16 athletes / teams, byes are permitted)

(see image 13: Match Play Chart 4 (16 athletes / teams, byes are permitted))

A



B

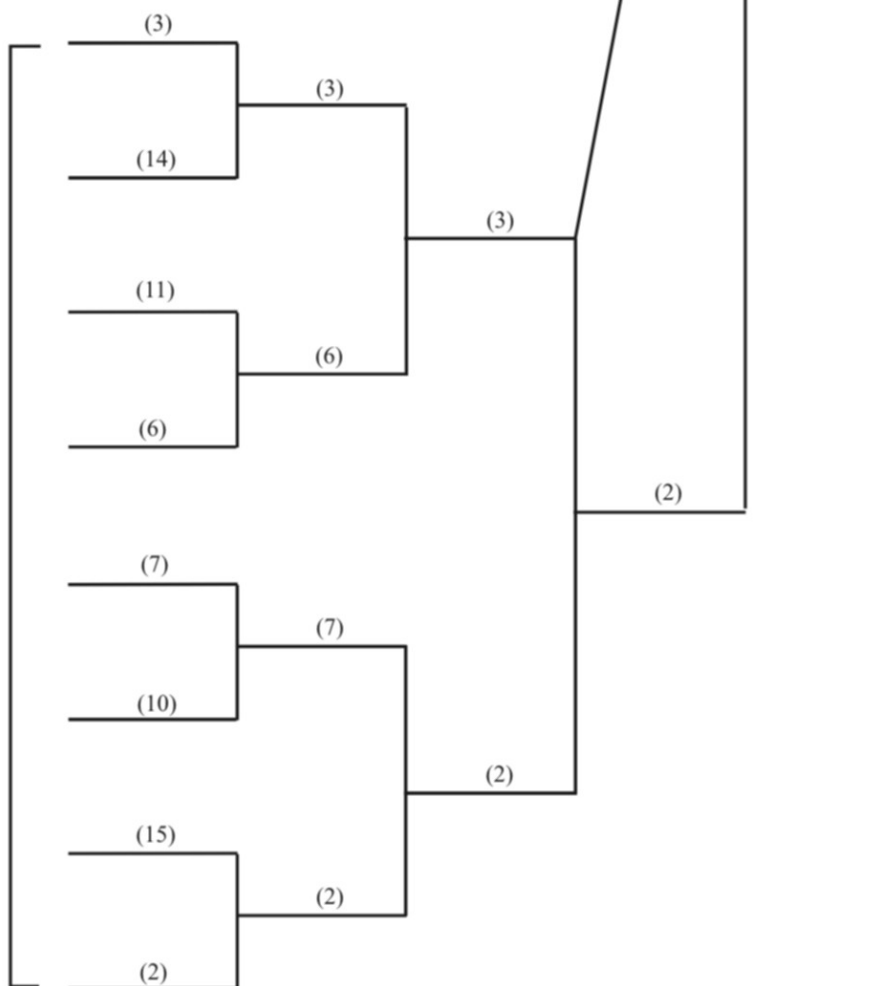


Image 13: Match Play Chart 4 (16 athletes / teams, byes are permitted)

Olympic Games Match Play Chart (64 athletes, byes are permitted)

(see image 14: Olympic Games Match Play Chart (64 athletes, byes are permitted))

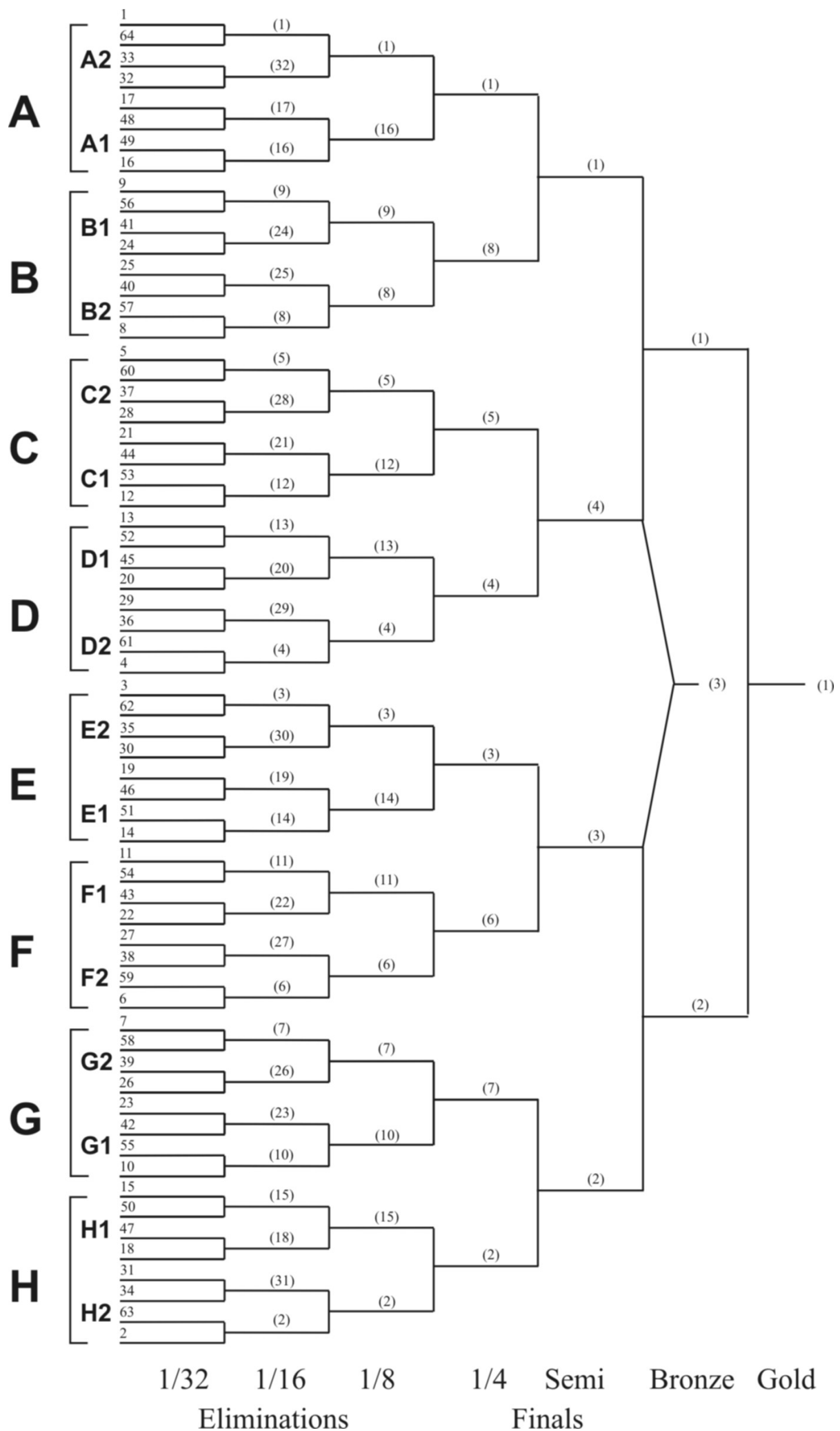


Image 14: Olympic Games Match Play Chart (64 athletes, byes are permitted)

Match Play Chart 5 (24 teams, byes are permitted)

(see image 15: Match Play Chart 5 (24 teams, byes are permitted))

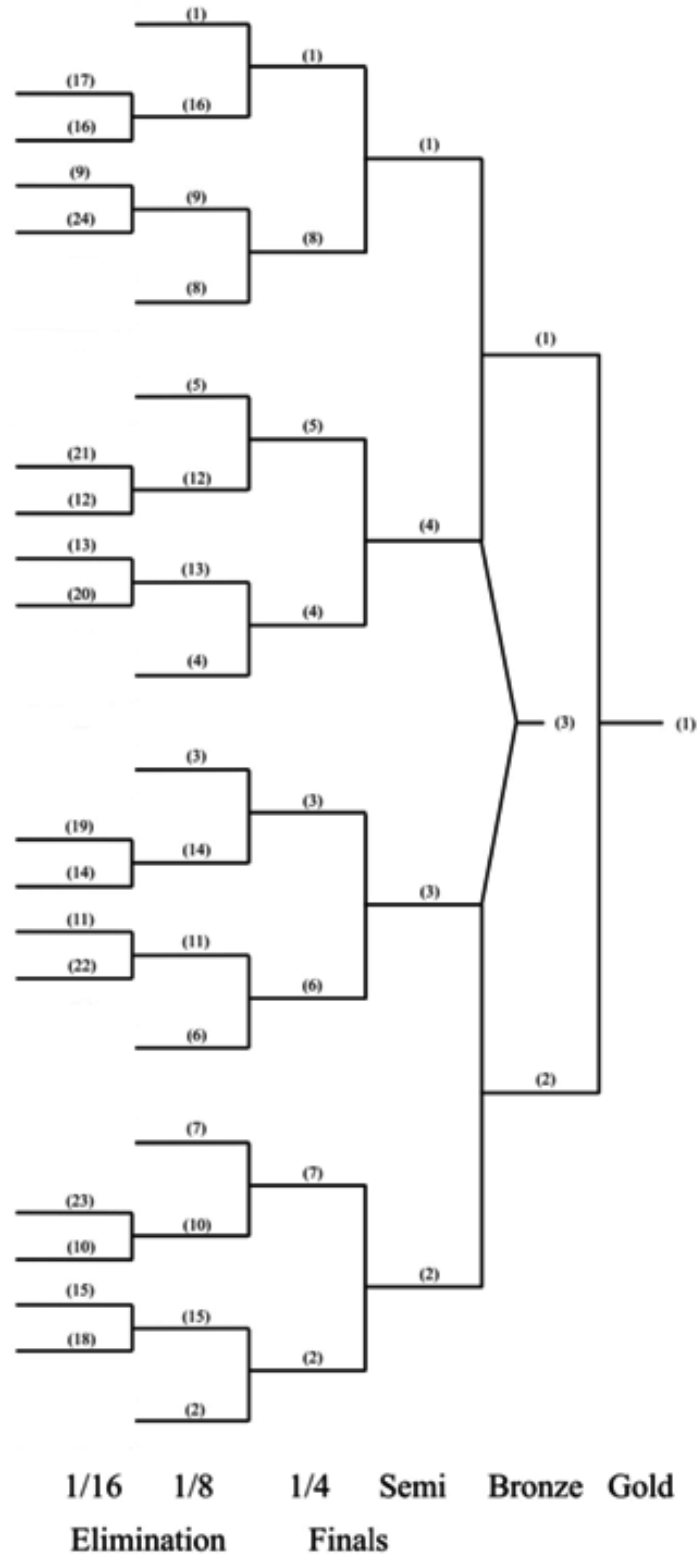


Image 15: Match Play Chart 5 (24 teams, byes are permitted)